

Felino Drop In Spa FE1788-SPA Installation Instructions

CASA LUSSO

Voltage/Hz 220-240V/50HZ
Power 1.1KW
Current >5.8A

1. Supplied Voltage/HZ must be conformity with product parameter
2. Pump must be adequately grounded to prevent Voltage leakage.
3. 0.2-0.4Mpa water pressure is desired
4. Water level must be higher than the highest jet before starting pump

Panel



Air Regulator

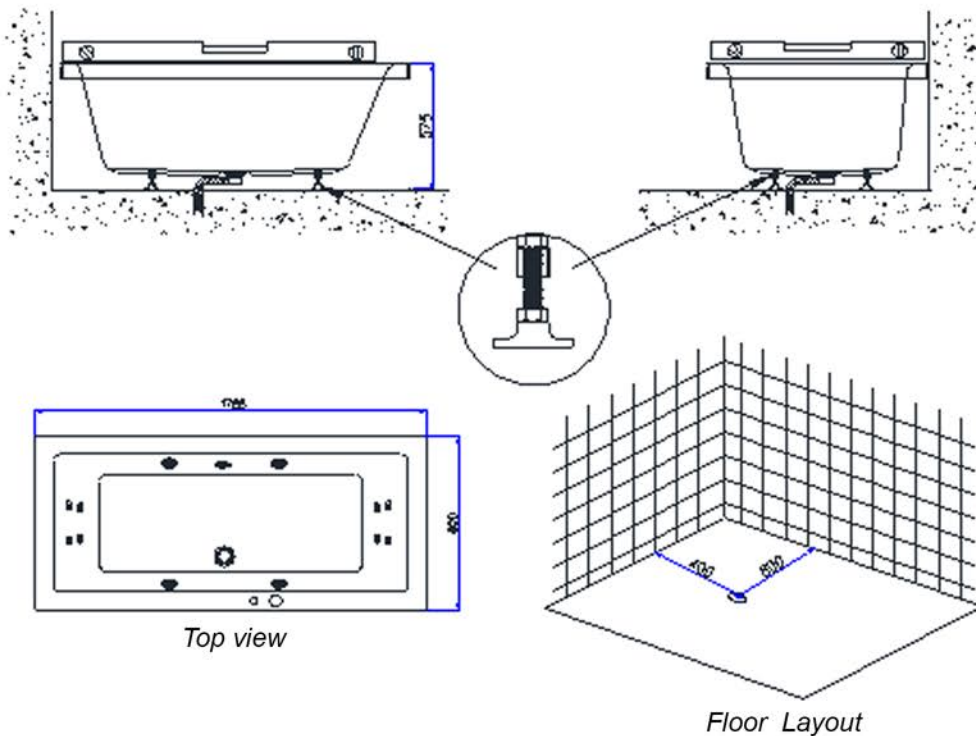


Air Regulator (Venturi System)

1. Turn Air Regulator to adjust whirlpool water flow.
2. Turn Air Regulator to left, whirlpool water flow will increase.
3. Turn Air Regulator to right, whirlpool water flow will decrease.

Control Panel (whirlpool system)

1. Press it and it be lighted on and start pump for whirlpool system.
2. Press it again, it be lighted off and stop pump for whirlpool system.



Size: 1785x800x470/600mm

- 1.: Adjust the feet to be level
- 2: Put the bath waste into floor drainage

Faults	Fault Cause	Solutions
Failure	Voltage instability The plug drops off or short circuit Pneumatic switch's failure The link between pneumatic switch & the pipe drops off or breaks	Check the voltage Plug the power or replace it Change the switch Re-link it or replace the pipe
Big noise of generator	The voltage mis-matches up to the data on the nameplate Fix screws of generator drop off The feet of tub are not to be level	Check it with the distributor Adjust it /tighten it Adjust it to be level
Plumbing leakage	Aging of sealing ring Bad connection Plumbing leakage	Replace Re-connect Rechange

Due to our policy of continuous development, all designs and measurements are intended only as a guide and are subject to change without notice. Being hand made products they are subject to a size variance E&OE. This brochure is representative of the actual products at time of printing. Please confirm all particulars before purchase. Casa Lusso recommends having the product on site before commencing rough in.