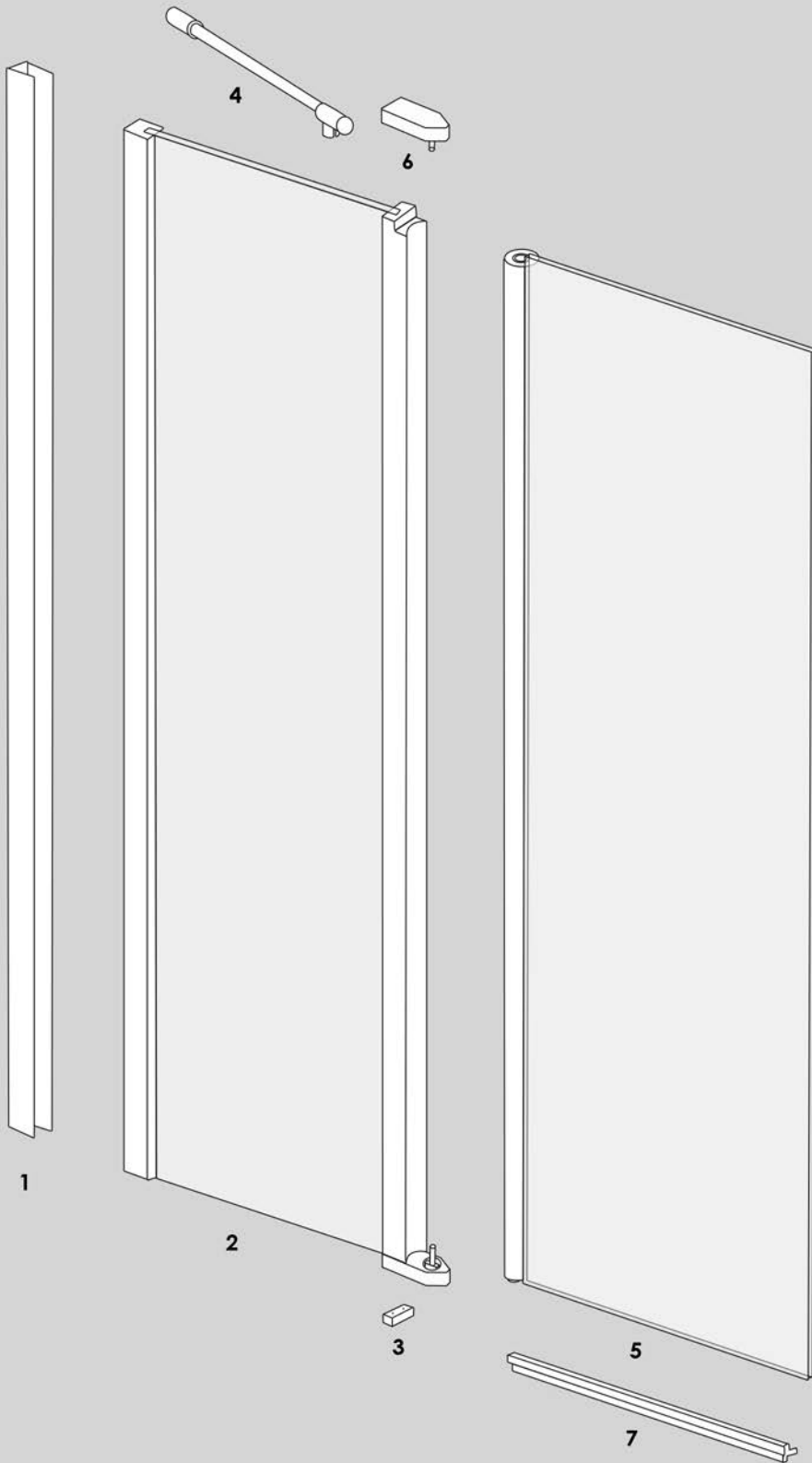


# Installation Instructions

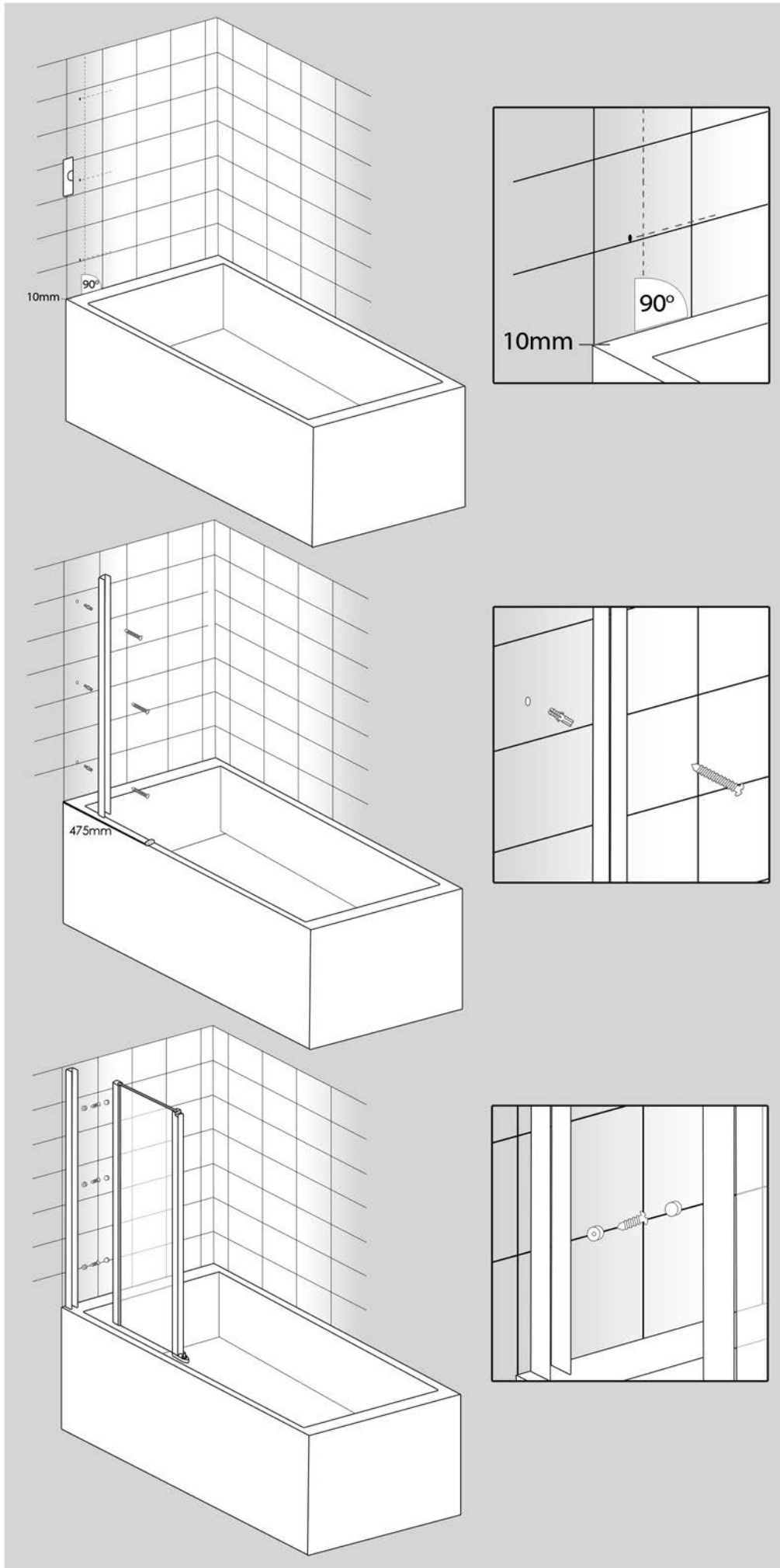
## Crystallo Bath/Shower Screen



- |           |   |
|-----------|---|
| <b>1</b>  | 1 x Wall Channel                                |
| <b>2</b>  | 1 x Fixed Panel                                 |
| <b>3</b>  | 1 x Stabilising Block                           |
| <b>4</b>  | 1 x Stabilising Bar                             |
| <b>5</b>  | 1 x Swinging Door                               |
| <b>6</b>  | 1 x Top Axis Bracket                            |
| <b>7</b>  | 1 x Water Deflector                             |
| <b>8</b>  | 3 x 35mm Wall Channel Screw<br>(1 x spare part) |
| <b>9</b>  | 3 x Wall Plug<br>(1 x spare part)               |
| <b>10</b> | 2 x 20mm Stabilising Block Screws               |
| <b>11</b> | 3 x Washers                                     |
| <b>12</b> | 3 x Panel Screw                                 |
| <b>13</b> | 3 x Chrome Push Caps                            |
| <b>14</b> | 1 x 35mm Stabilising Bar Screw                  |
| <b>15</b> | 1 x Wall Plug                                   |
| <b>16</b> | 2 x 35mm Top Axis Bracket Screw                 |

## Installation Instructions

### Crystallo Bath/ Shower Screen



#### Steps A & B

- Position the **wall channel (1)** inside bath tile lip or if the bath does not have a lip, measure in 10mm from edge and 2mm up from the bath.
- Using a spirit level, ensure **wall channel (1)** is plumb. Mark position of holes.

#### Steps C & D

- Using a suitable drill bit, drill holes and fit **wall plugs (9)**. Fix **wall channel (1)** to stud or noggins using **screws (8)** and a bead of clear silicone (not supplied).
- Please Note:** If stud or noggin is not available, use toggle bolts (not supplied).
- Measure 475mm from finished wall and mark holes for **stabilising block (3)**, fix block using **fixing screws (10)**.

#### Steps E & F

- Insert **fixed panel (2)** into **wall channel (1)** and onto **stabilising block (3)**.
- Secure using **panel screws (12)** with **washers (11)** and finish with **chrome push caps (13)**.

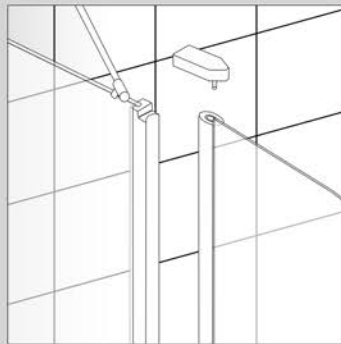
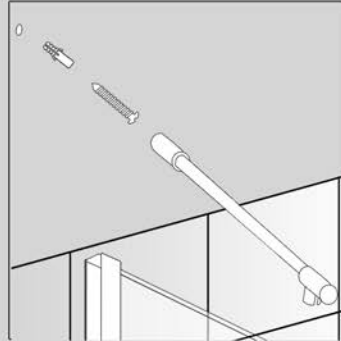
## Installation Instructions

### Crystallo Bath/ Shower Screen

#### Step G

G. Attach **stabilising bar (1)** to **fixed panel (2)** and secure to finished wall using **wall plug (15)** and **screw (14)**.

**Please Note:** Apply a bead of clear silicone (not supplied) to the bottom of **fixed panel (2)** to seal.



#### Steps H & I

H. **Position Swinging Doors (5)** in place, secure using top **axis bracket (6)** and **screws (14)**.

I. Install **Water Deflector (7)**.

