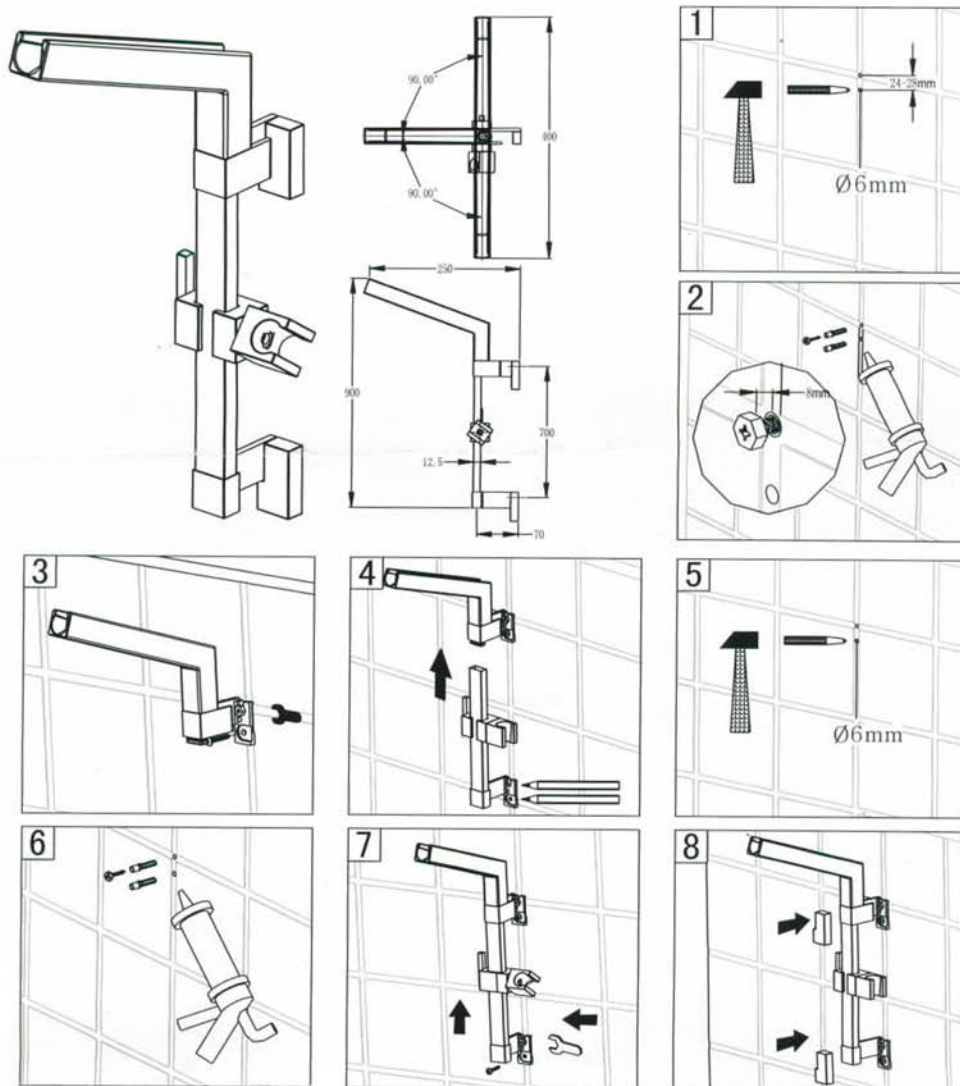


Installation Instructions

Duo Shower on Rail



INSTALLATION INSTRUCTIONS

1. Drill two holes for 6mm fixing screws (the second hole should be 24-28mm below the first)
2. Insert two plastic dowels into the two holes.
Fix a hexagon screw into the upper hole, keeping an 8mm space from the wall.
3. Insert overhead bracket into the space between the hexagon screw and wall.
Fasten tightly with spanner.
Screw the second hole well with a suitable screw.
The overhead bracket is now fixed.
4. Fix the sliding rail into the bottom of the overhead bracket.
This is to get the correct position to screw the rail to the wall.
Mark with pencil the position where your next screw holes need to go.
5. Drill two holes for 6mm fixing screws as per your markings made in Step 4.
6. Insert 2 plastic dowels into the marked positions.
Fix a hexagon screw into the upper hole. (Repeat Step 2)
7. Fix sliding rail with the bottom of the overhead bracket.
Tightly screw the hexagon screw once in position and the other hole with appropriate screw.
8. Attach the covers provided to hide the wall fixings.

Due to our policy of continuous development, all designs and measurements are intended only as a guide and are subject to change without notice. Being hand made products they are subject to a size variance E&OE. This brochure is representative of the actual products at time of printing. Please confirm all particulars before purchase. Casa Lusso recommends having the product on site before commencing rough in.