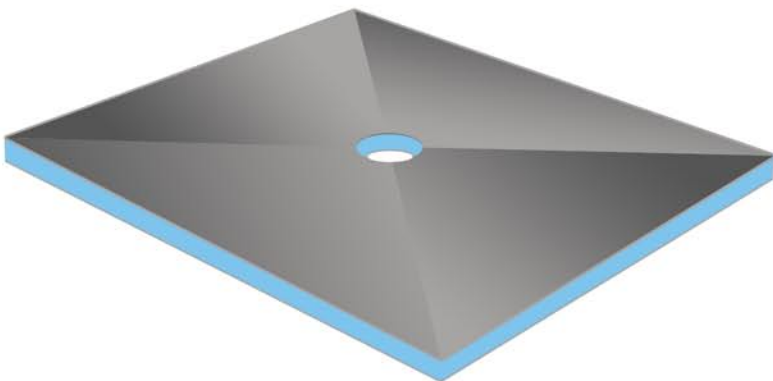


EziLay Shower Tray System

The EziLay Shower Tray System is made from an extruded polystyrene core. It is then layered on either side with a cement polymer mortar which has been embedded with a fibreglass mesh. These materials are 100% waterproof and perfect for wet rooms and showers.



100% Waterproof boards

Acoustic & thermal insulation

Floor Level (fixed to timber or concrete)

Pre-laid to falls (min 2% drain angle)

Variety of sizes

Offset or central drain options

Lightweight

Can be finished with tiles or sheet systems

Economical

No moisture build up underneath tiles

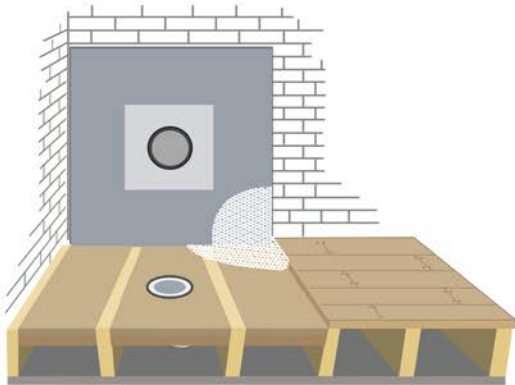
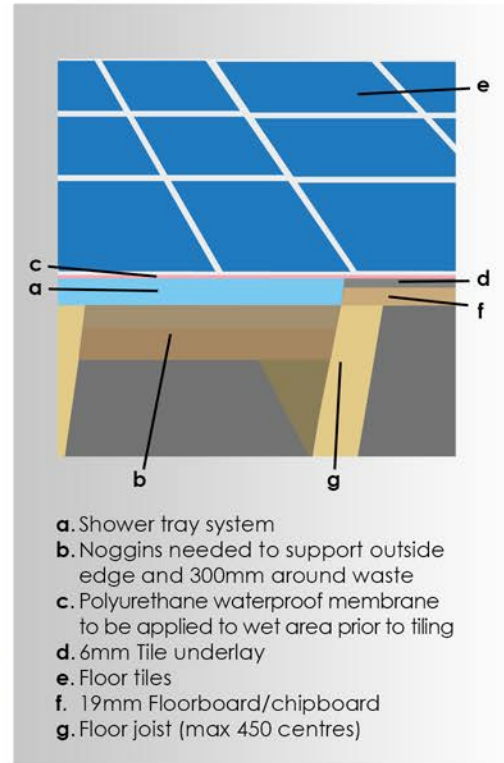
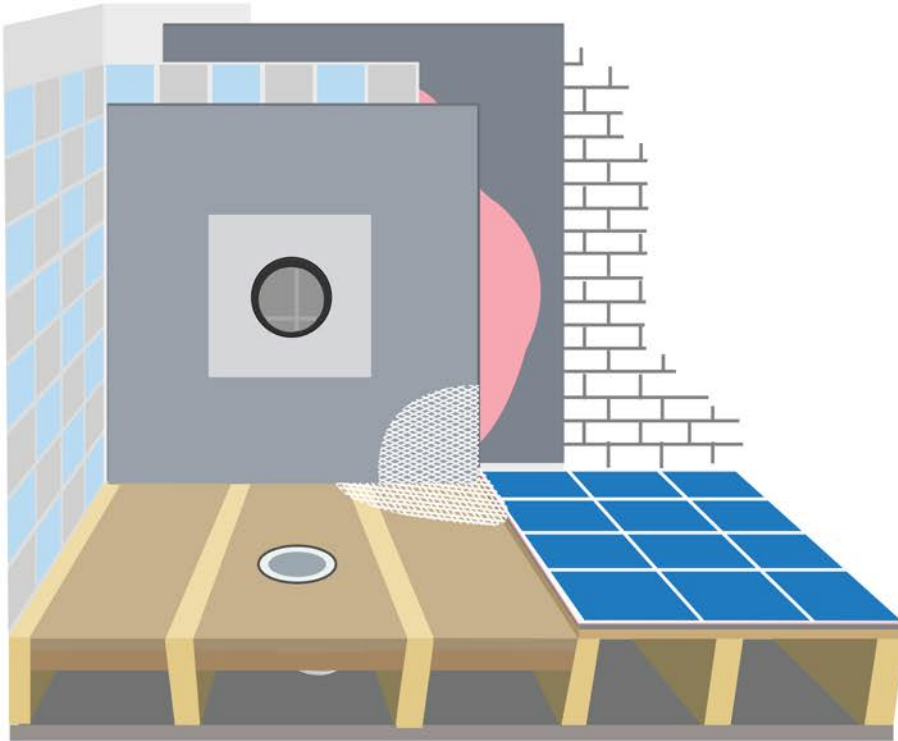
Easily cut to an irregular shower base shape

Preformed (No skilled laying of falls)

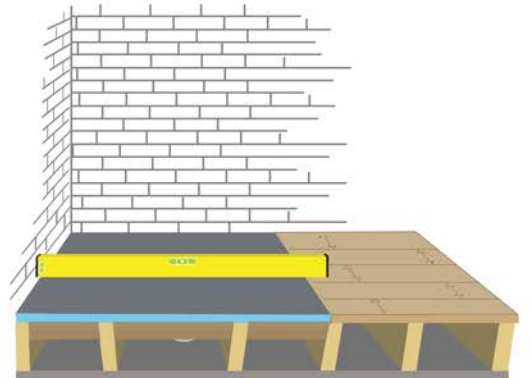
TIMBER FLOOR EXAMPLE

This requires cutting the floor boards for the Casa Lusso shower tray to drop into

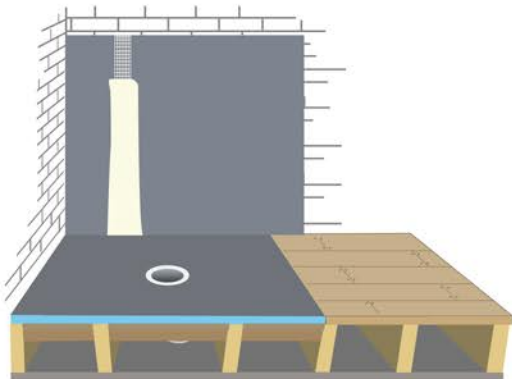
Note: The shower tray must be fully supported



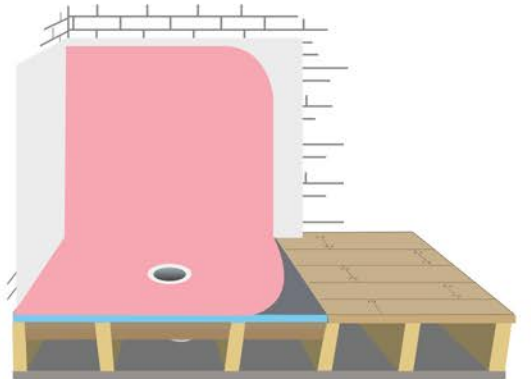
- 1** Make sure the shower tray system is fully supported. Use a polyurethane adhesive to fix directly to floor joist and noggins.



- 2** Place underlay in position, apply pressure on the underlay and check for level.



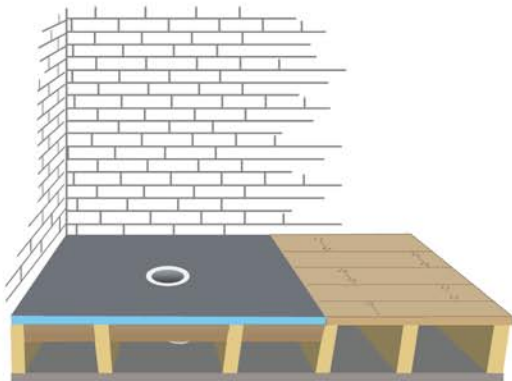
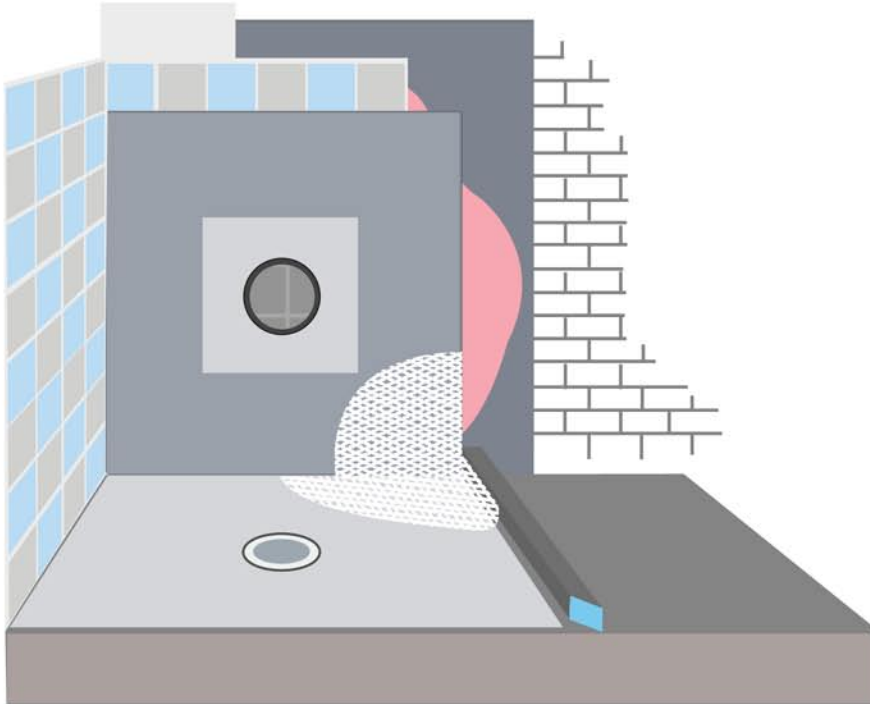
- 4** After the shower tray is in place install the wall sheeting.



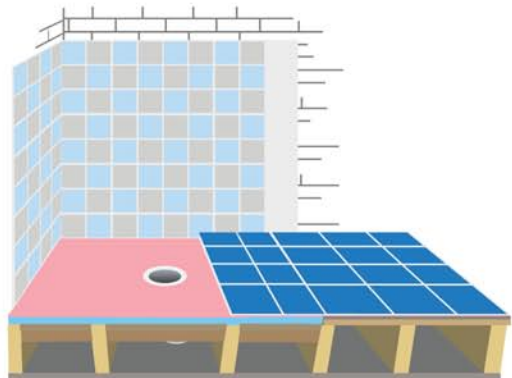
- 5** Apply an approved water proof membrane to the entire surface of the underlay, flange, water stop, and the wall sheeting according to the manufacturer recommendations.

CONCRETE FLOOR EXAMPLE

This option is perfect for applying the shower tray with concrete slabs.



- 3** Apply a bead of polyurethane on the acrylic ring around the waste opening, plumber's glue to the waste pipe and attach puddle flange. Apply a bead of polyurethane around the outside edge of the flange.



- 6** After the waterproof dries the shower can be tiled accordingly.

Notes

Please use a cement based tile adhesive for cement floors rather than the polyurethane adhesive which is used on timber floors.

Polystyrene products by Casa Lusso

Shower Tray System (See overleaf for sizes)

Shower Hob 75x75mm precut with 45° angle

975mm

1275mm

1875mm

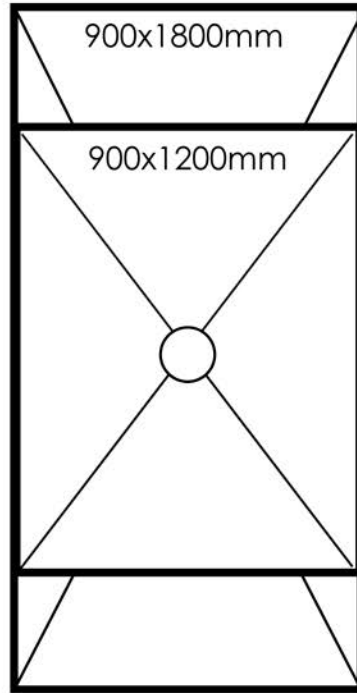
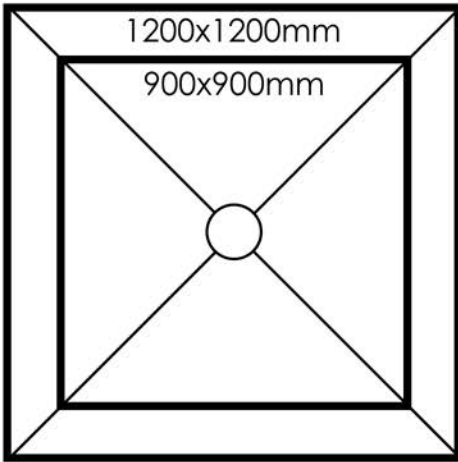
Shower Niche

410x410x70mm

560x410x70mm

CENTER DRAIN SIZES

Standard thickness: 25mm



OFFSET DRAIN SIZES

Standard thickness: 25mm

