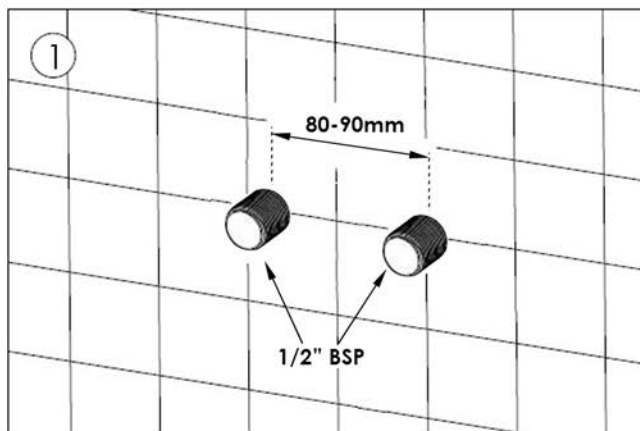


# Ottimo Block Wall Mounted Waterfall Shower Head

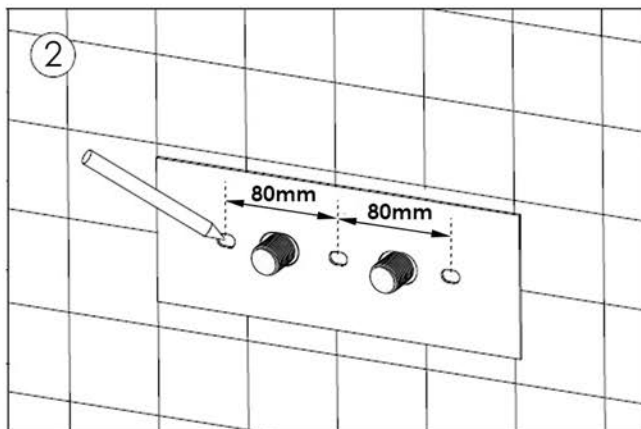
## Installation Instructions

CASA LUSSO

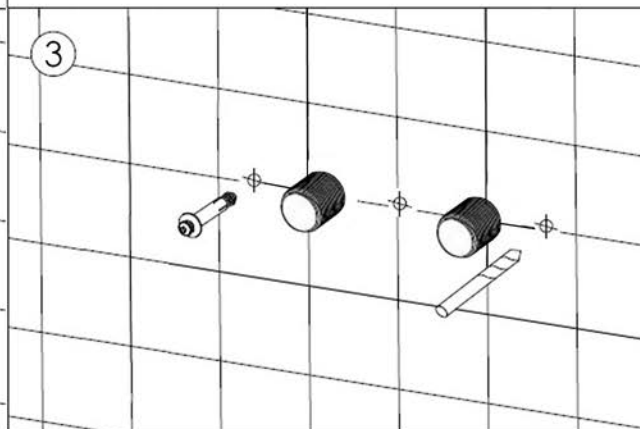
**PLEASE NOTE:**  
An In Wall Diverter mixer must be installed for both functions of this shower head to operate.



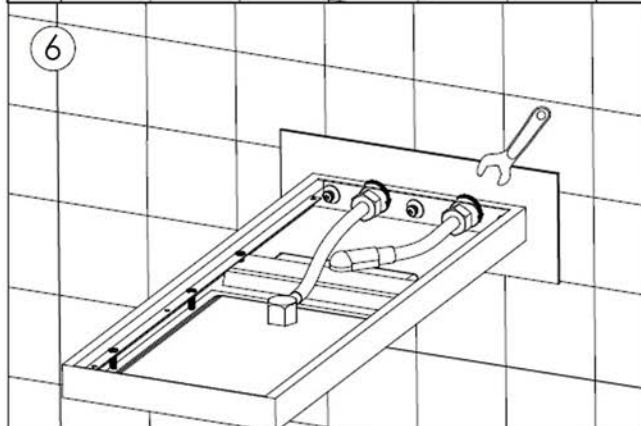
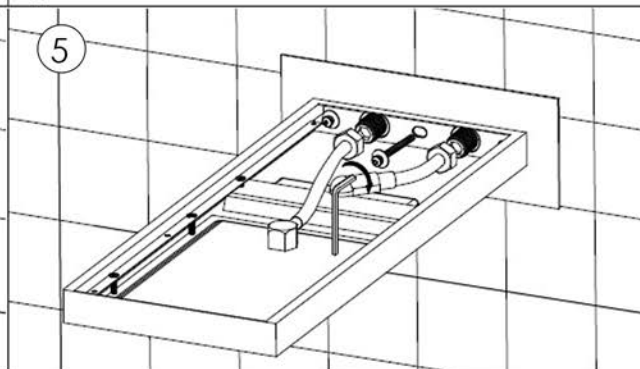
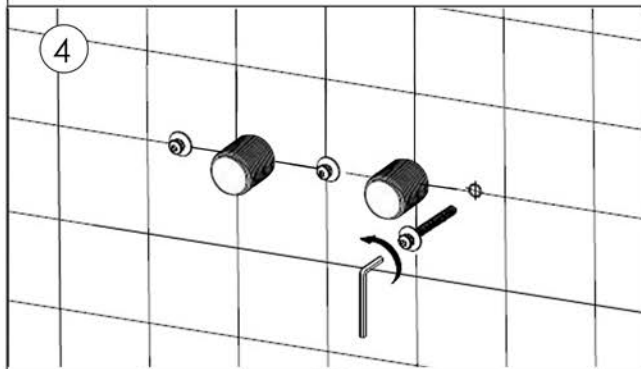
**Step 1.** Two 1/2" BSP's must be installed 80-90mm apart at preferred shower head height during rough in stage.



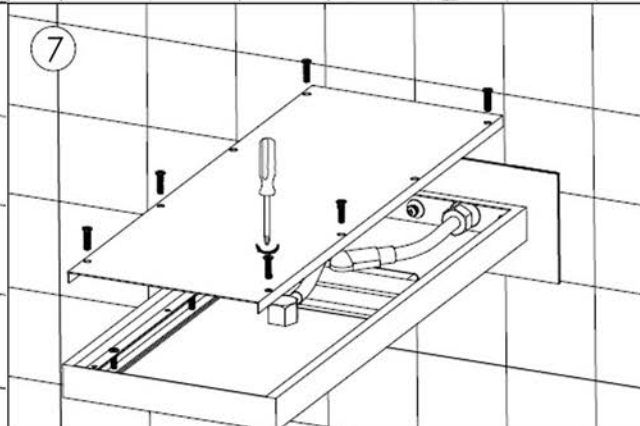
**Step 2.** Please ensure there is sufficient support to securely fix the shower head to the wall. Mark holes 80mm apart as per backplate.



**Steps 3-5.** Fix shower head to wall using the 3 bolts supplied or appropriate fixings dependent on type of wall.



**Step 6.** Carefully connect Flexi's to 1/2" BSP's ensuring not to damage the rubber 'O' rings.



**Step 7.** Test that both shower head functions are working correctly then refit top plate.