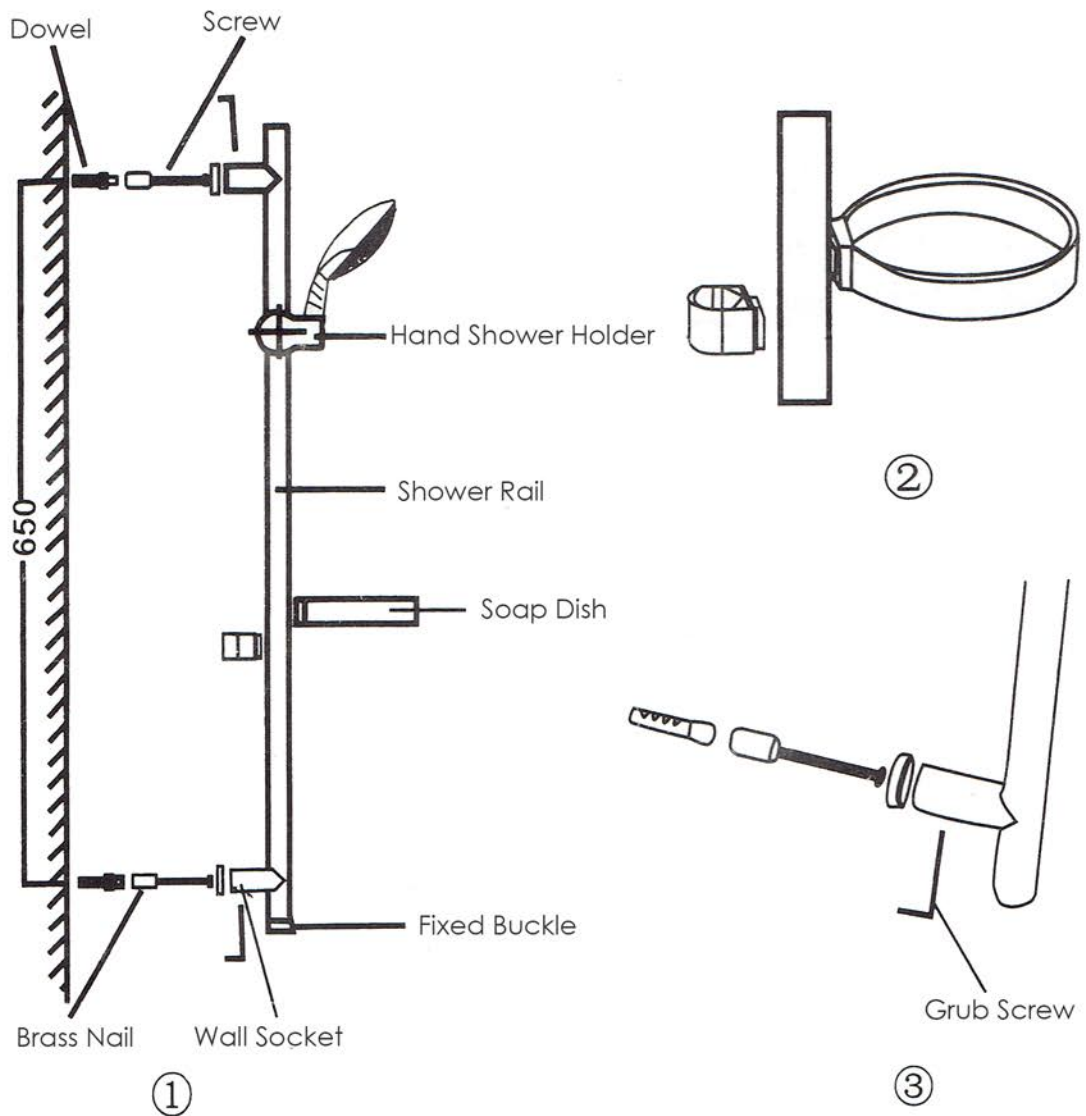


Installation Instructions

Omega Shower on Rail



INSTALLATION INSTRUCTIONS

1. Drill two 7mm holes 650mm apart, the first directly above the second.
2. Install the soap dish to the rail.
3. Fix the rail via to the wall from the wall sockets then tighten with grub screw.

Due to our policy of continuous development, all designs and measurements are intended only as a guide and are subject to change without notice. Being hand made products they are subject to a size variance E&OE. This brochure is representative of the actual products at time of printing. Please confirm all particulars before purchase. Casa Lusso recommends having the product on site before commencing rough in.