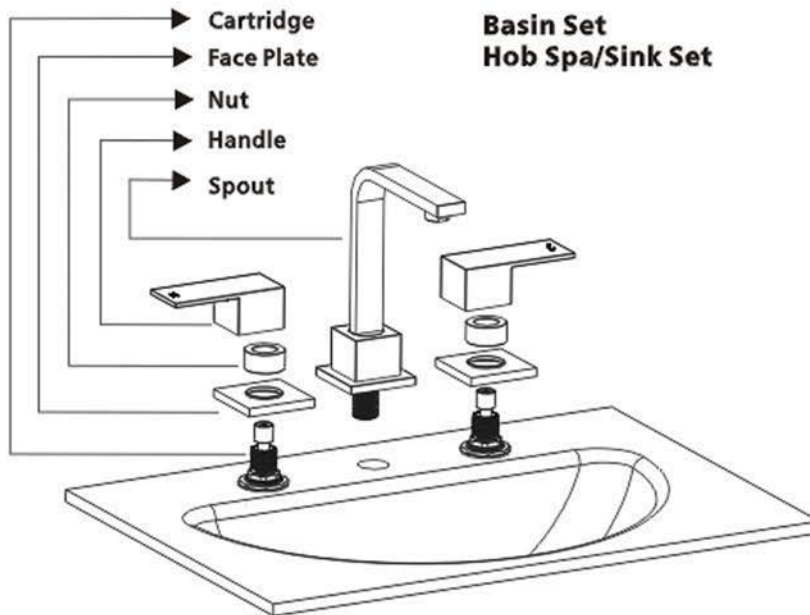


BASIN SET OR HOB SPA/SINK SET

Congratulations for purchasing this quality basin set or hob spa/sink set. Our product is manufactured to the highest quality under strict quality control procedures.



INSTALLATION INSTRUCTIONS

1. Install the body, cartridge and connecting tube with plastic nut and gasket on the basin/sink;
2. Install the face plate and cover nut;
3. Install the two handles and lock them with screws;
4. Install the spout.

IMPORTANT

Pressure & Temperature Requirements.

- * Hot and cold water inlet pressures should be equal.
- * Inlet pressure range: 100 – 800 kPa
- * New Regulation: -500 kPa maximum operating pressure at any outlet within a building. (Ref. AS/NZS 3500.1-2003, Clause 3.3.4)
- * Maximum hot water temperature: 80°C.