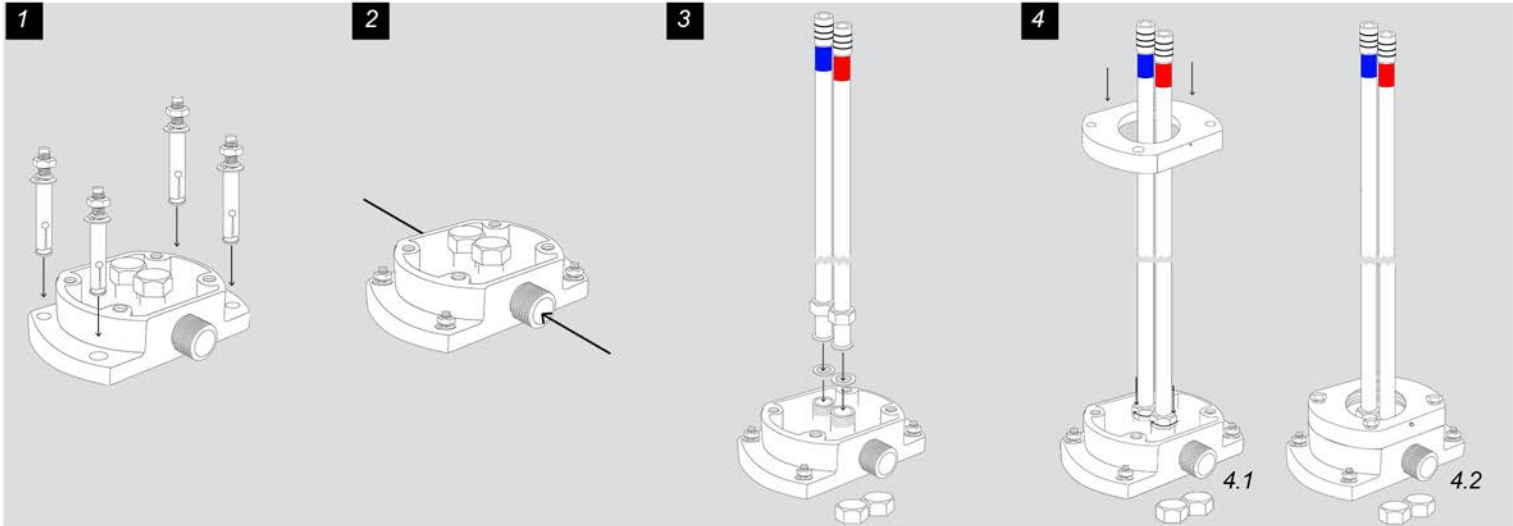


# SPIN Freestanding Bath Mixer with Handshower

## CG8092

### Installation Instructions

CASA LUSSO

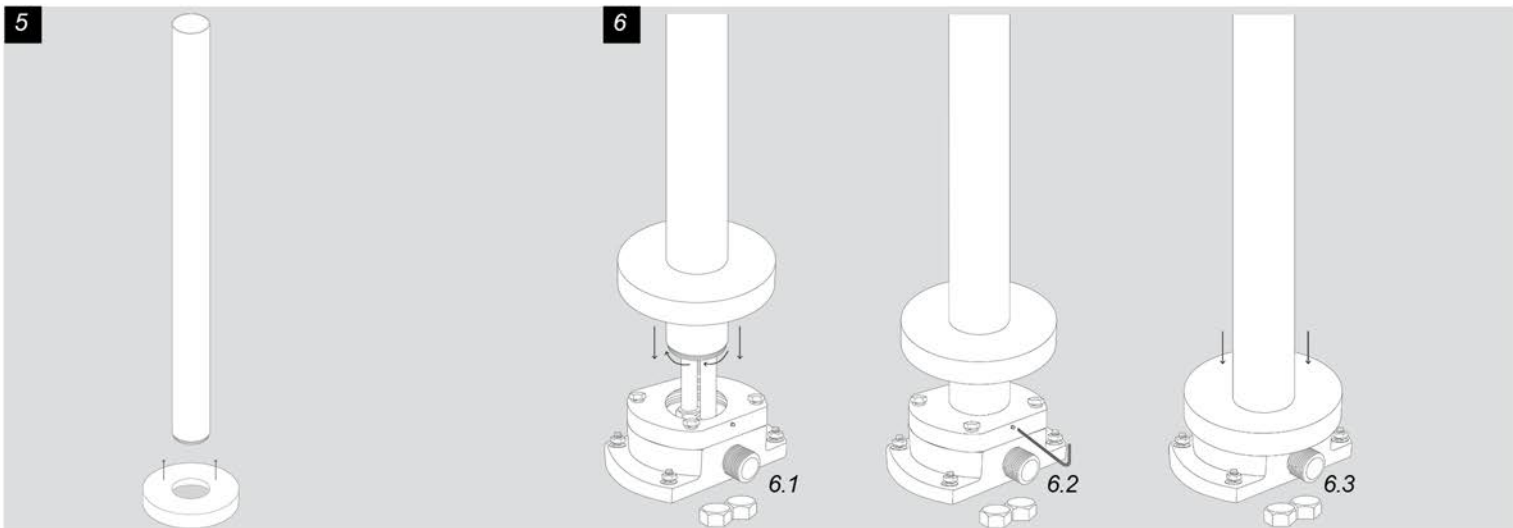


1 Secure floor mount base plate.

2 Connect hot and cold water to the 1/2 inch BSP threads either side of the floor mount base plate once dust caps have been removed.

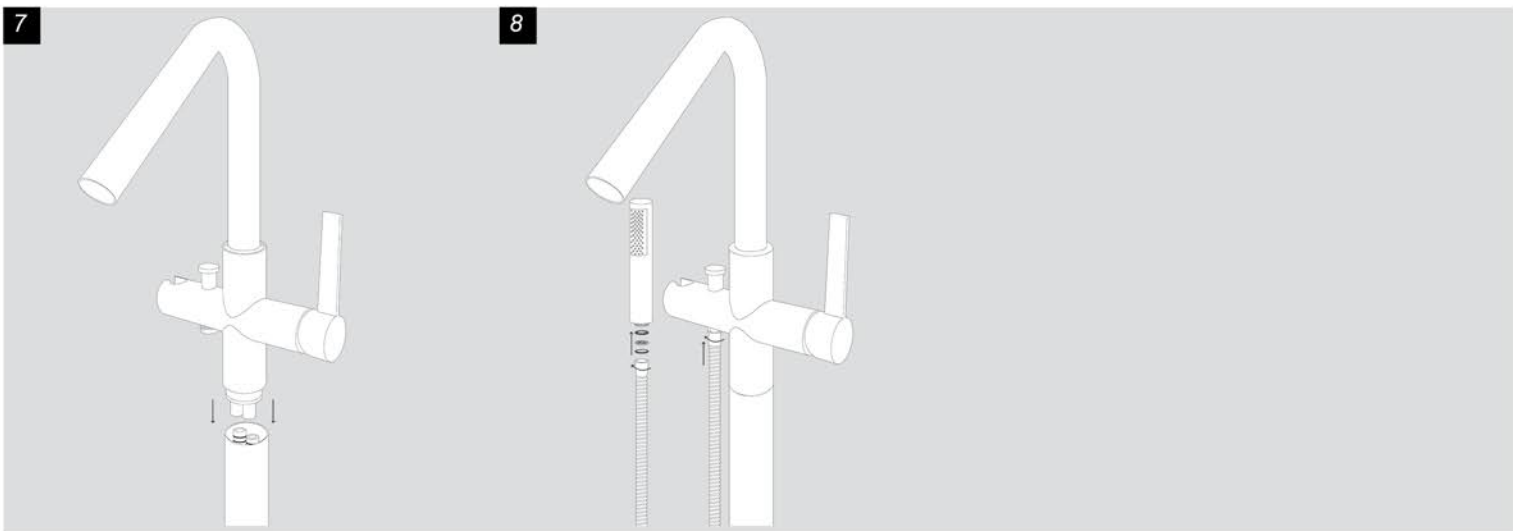
3 Connect the 2 x 1/2 inch copper pipes into the centre of the floor mount base plate being careful not to over tighten causing damage to the 'o' rings.

4 Sleeve second base plate over 1/2 inch copper pipes (Dia. 4.1) aligning holes to each corner with holes in the floor mount base plate and secure using threaded bolts provided (Dia. 4.2)



5 Slide chrome cover plate over chrome tubing with external thread to chrome tubing facing downwards.

6 Align chrome tubing with base plate and wind clockwise to secure (Dia. 6.1) then tighten grub screw to tubing (Dia. 6.2). Once grub screw is tightened push chrome cover plate down to hide fixings (Dia. 6.3).



7 Line up 2 sets of 1/2 inch copper pipes and connect spout/mixer component to chrome stand pipe making sure it is secure.

8 Connect one end of the flexible hose to the hand piece and other end to the thread under diverter button.