

Chevron Sink Mixer - Installation Instructions

CONGRATULATIONS ON THE PURCHASE OF YOUR NEW CASA LUSSO TAPWARE, WE HOPE YOU AND YOUR FAMILY ENJOY YOUR NEW PRODUCT AND CONSIDER US FOR ANY FUTURE PROJECT. CASA LUSSO PRODUCTS HAVE BEEN MANUFACTURED UNDER THE HIGHEST STANDARDS OF QUALITY AND WORKMANSHIP.



GENERAL INFORMATION

- When installing this product, the pipes must be flushed clean where the product is being installed.
- Ensure the hoses are not twisted or stretched, are not under tension and not bent to a radius less than 25mm when being installed.
- If the water temperature exceeds 80°C an approved water tempering valve must be fitted.
- For domestic use only, not suitable for commercial applications.

MAINTENANCE

- Clean regularly using mild soap and dry with a soft cloth.
- Do Not use abrasive cleaners or harsh detergents.

The warranty will not apply if:

- The product has been damaged by improper use;
- The product has not been used in accordance with any applicable instruction guide;
- The purchaser has attempted to modify or repair the product;
- The product is not installed by a licenced Plumber.

IMPORTANT

IT IS IMPORTANT TO FLUSH OUT THE WATER PIPES BEFORE INSTALLING THE MIXER.

- Always fit isolating taps to the hot and cold inlet connections in accordance with national plumbing code AS3500
- Hot and cold water inlet pressures should be equal.
- Inlet pressure range: 150 – 500 kPa
- New Regulation:
 - 500 kPa maximum operating pressure at any outlet within a building. (Ref. AS/NZS 3500.1-2003, Clause 3.3.4)
- Maximum hot water temperature: 80°C.

FEATURES

Premium Warranty:

5 Year replacement product : 1 year labour

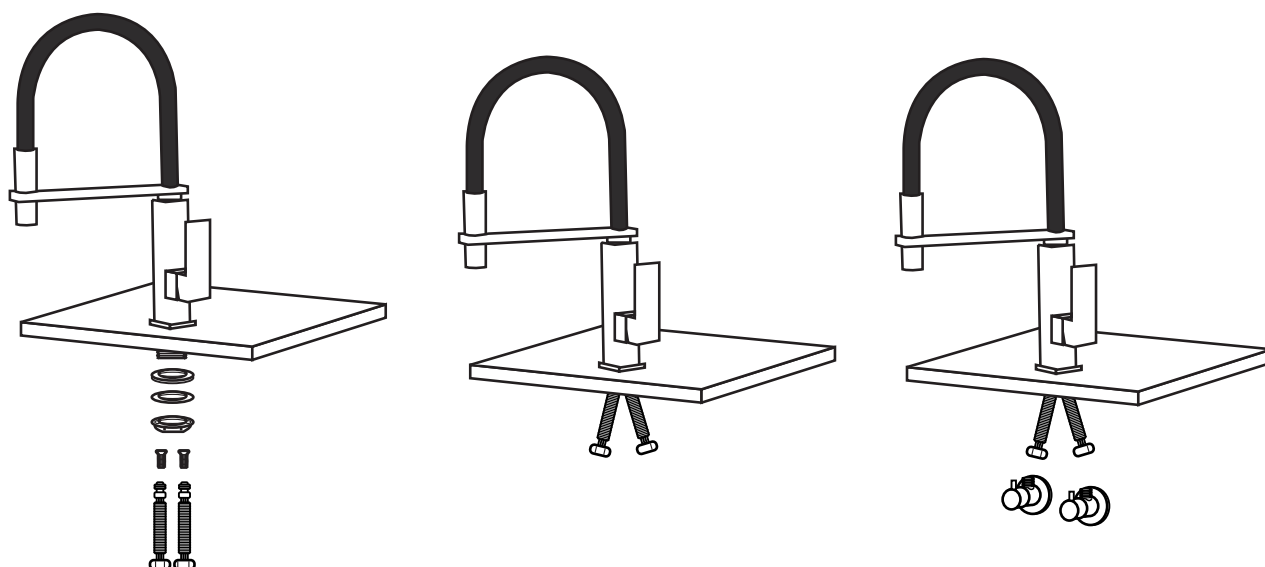
Material: Chrome Plated Solid Brass Construction

Includes: Kitchen Sink Mixer

Made to Australian Standards code:
AS/NZS 3718:2005 Water supply - Tap ware WMK25708



INSTALLATION



FAILURE TO COMPLY WITH ANY OF THE ABOVE INSTRUCTIONS WILL VOID ALL WARRANTIES