



ZEN TAPWARE INSTALLATION GUIDE



WaterMark

AS/NZS 3718
LN23083
Casa Lusso

GENERAL INFORMATION

- When installing this product, the pipes must be flushed clean where the product is being installed.
- Ensure the hoses are not twisted or stretched, are not under tension and not bent to a radius less than 25mm when being installed.
- If the water temperature exceeds 80°C an approved water tempering valve must be fitted.
- For domestic use only, not suitable for commercial applications.

MAINTENANCE

- Clean regularly using mild soap and dry with a soft cloth.
- Do Not use abrasive cleaners or harsh detergents.

WARRANTIES

WARRANTY

7:1 years

INFORMATION

7 years ceramic disc & parts only: 1 year labour

The warranty will not apply if:

- The product has been damaged by improper use;
- The product has not been used in accordance with any applicable instruction guide;
- The purchaser has attempted to modify or repair the product;
- The product is not installed by a licenced Plumber.

Failure to comply with any of the above instructions will void all warranties.

IMPORTANT

IT IS IMPORTANT TO FLUSH OUT THE WATER PIPES BEFORE INSTALLING THE MIXER

Always fit isolating taps to the hot and cold inlet connections
in accordance with national plumbing code AS3500.

Hot and cold water inlet pressures should be equal.

Inlet pressure range: 100 – 800 kPa

New Regulation: 500 kPa maximum operating pressure at any outlet within a building.
(Ref. AS/NZS 3500.1-2003, Clause 3.3.4)

Maximum hot water temperature: 80°C.

www.casalusso.com.au

Congratulations on the purchase of your new Casa Lusso tapware, we hope you and your family enjoy your new product and consider us for any future project.

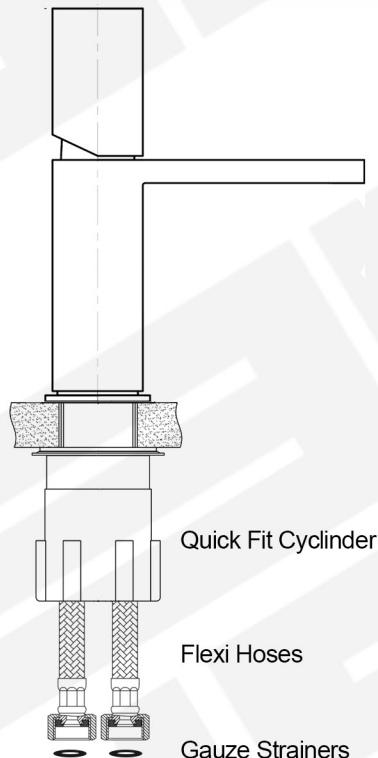
Casa Lusso products have been manufactured under the highest standards of quality and workmanship.

BASIN OR SINK MIXER

1. Install the flexible hoses into the mixer and hand tighten in place. The flexible hoses are to be fitted into the correct inlets for hot water and for cold water (Red band for hot and blue band for cold).
2. Place the mixer into position and secure using the quick fit cylinder

IT IS IMPORTANT TO FLUSH OUT THE WATER PIPES BEFORE INSTALLING THE MIXER

3. Ensure gauze strainers are placed into the flexible hoses then connect the isolating taps



IN WALL MIXER

1. Mount the mixer body into the wall

IT IS IMPORTANT TO FLUSH OUT THE WATER PIPES BEFORE INSTALLING THE MIXER

2. Connect the water supply to the Hot/Cold Inlets of the mixer body marked H and C.
3. Install the faceplate onto the mixer body;
4. Install the handle onto the mixer body and tighten with allen key

