

Installation Instructions

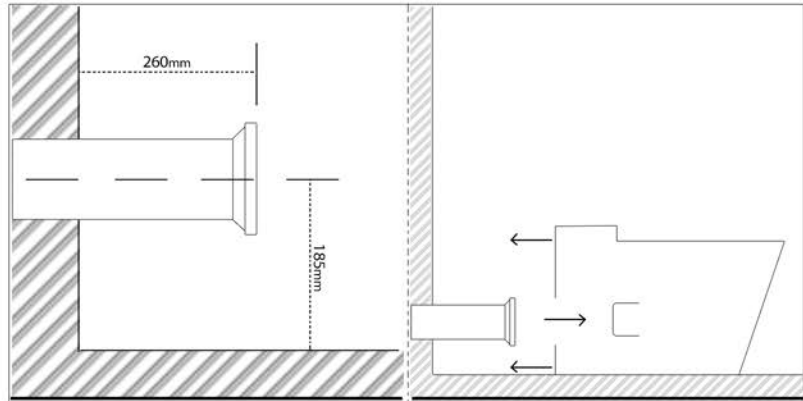
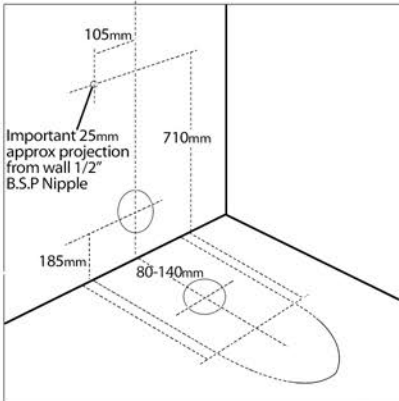
CLT-002/CLT-003 Wall Faced Toilet Suites

Notes on Installation of Toilet Seat:-

- Toilet seat and cover should be installed after all trades have finished.
- All measurements should be taken from finished wall and floor.
- Casa Lusso strongly recommends that installation of this toilet is carried out by a licenced plumber*.

Cleaning Recommendations:-

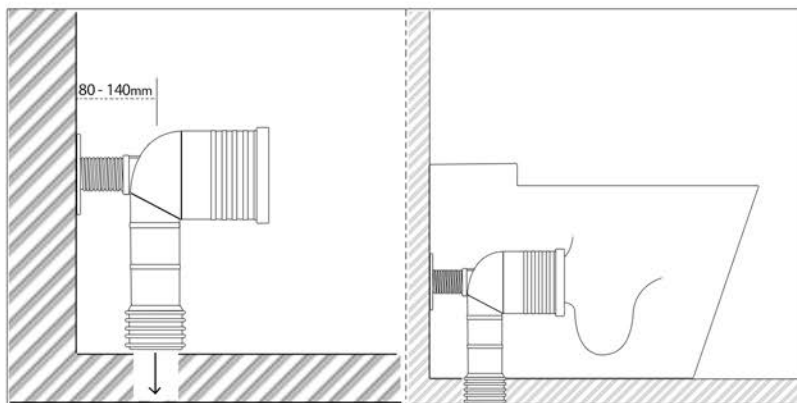
- The high quality vitreous china finish is best cleaned using mild soapy water.
- Do not use abrasive materials e.g. steel/wool scourers.
- Do not use any corrosive or abrasive cleaning agents as may lead to surface damage.
- Bleaches are liable to discolour seats and hinges therefore should not be used.
- After cleaning, rinse with clean water and polish with a soft, clean cloth.



1. Mark out the position of water inlet, waste outlet and floor fixing bracket holes. Ensure inlet connection extends 60mm from finished wall. Drill holes for floor fixing bracket, then fix brackets to floor.
2. There are two ways of installing your toilet (S Trap or P Trap). Please make sure you use the correct instructions to suit your installation.

P Trap

- A. Set up waste pipe so that the end of the pan collar extends 260mm from the finished wall.
- B. Align and push fully assembled toilet back to the wall, connecting the pan spigot to pan collar. Bucket flush to check for leaks. Using a silicone adhesive*, fix pan to floor.

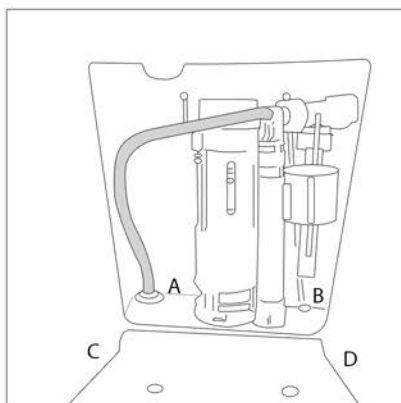


S Trap

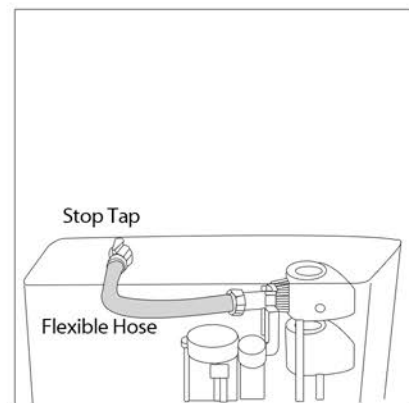
- A. Lubricate the fins of the pan bend and position into waste pipe.
- B. Lubricate rubber on the exposed connector end.
- C. Align and push fully assembled toilet back to the wall. Bucket flush to check for leaks. Using a silicone adhesive*, fix pan to floor.



3. Place rubber seal into pan recess (do not use sealant). Place cistern screws into holes on the inside of the cistern, making sure washers are located correctly. Gently lower cistern onto pan, locating fixing screws into matching pan screw holes. Secure cistern to pan. Before tightening, make sure cistern sits square and straight to pan. Then fix.



4. If back inlet, skip this step. Remove cap from cistern plug A or B depending on location of stop tap. Complete stop tap installation to underside of cistern plug C or D. Fill cistern to ensure correct water level. Note: Inlet valve can be adjusted if required.



5. If step 4 is completed, skip this step. Fit off stop tap then connect rear water inlet valve to stop tap. Fill cistern and ensure correct water level. Note: Make sure inlet valve flow is free from the side of the cistern wall. If inlet valve has a jam on the cistern wall, it can cause inlet valve to keep filling with water.

* Failure to do so can result in a void warranty.