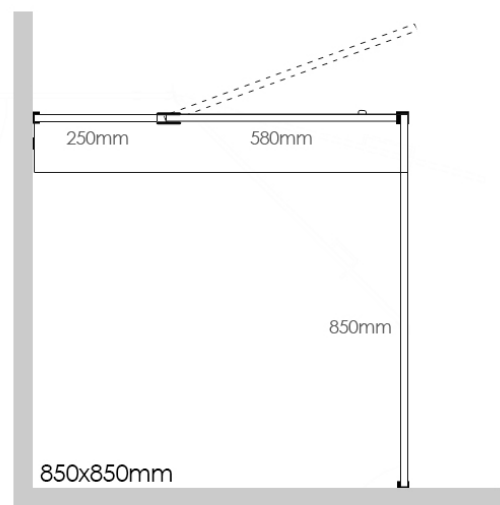
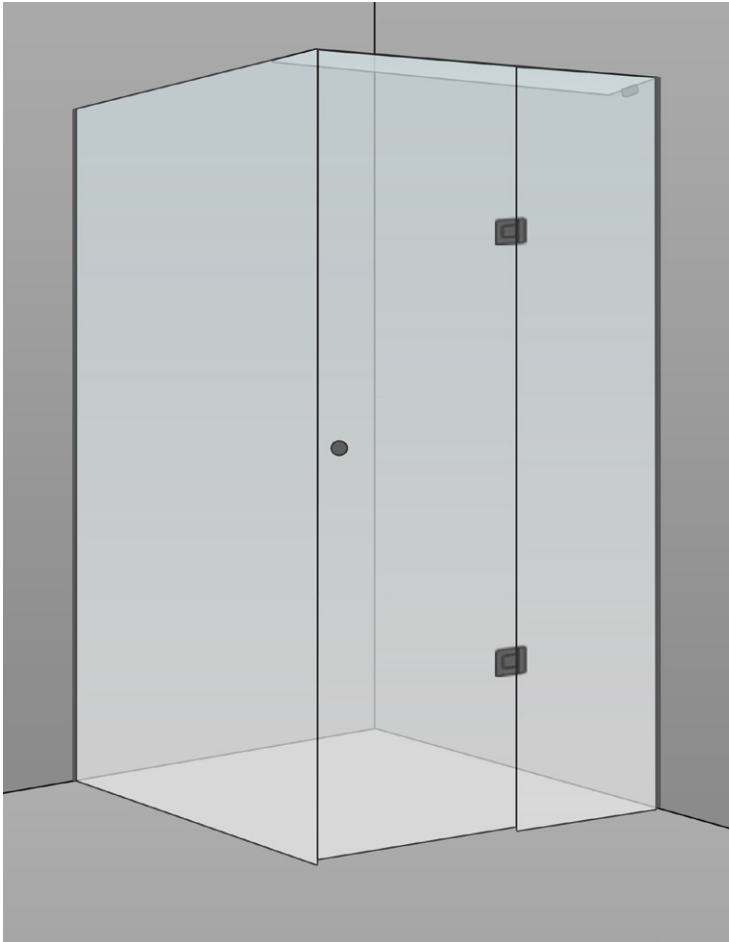


850x850x2000mm FRAMELESS SHOWER

FS10850A

2
YEAR
WARRANTY



INCLUDES

- 1 x 850x2000x10mm Tempered Glass Panel
- 1 x 250x2000x10mm Tempered Glass Panel (cut out)
- 1 x 580x1990x10mm Tempered Door Glass Panel
- 1 x 850x100x10mm Tempered Glass Panel
- 2 x 20x14x2100mm Stainless Steel 304 U Channels
- 1 x Chrome Plated Brass Round Handle
- 2 x Chrome Plated Brass Shower Door Hinges
- 1 x 10mm Glass Clip

SPECIFICATIONS

Made to Australian standards code AS/NZS 2208:1996 Safety glazing materials in buildings. To Meet Australian Safety Standards and Warranty Purposes, Toughened Safety Glass must be Installed By a Licensed Glazier. Due to the Nature of Tempered Safety Glass, Please make sure you take care with transport and handling of Your Products.

Features	Suits SMC Self Supporting Shower Base (sold separately)
Material	10mm Toughened Safety Glass Shower Fittings - Chrome Plated Brass
Code	FS10850A
Warranty	2 year replacement product or parts

FINISHED EXTERNAL GLASS DIMENSIONS

Size 855x855x2005mm

Assumptions

1. Walls are square to floor
2. Finished external glass measurements are from finished tile surface to outside of glass
3. U-channel is being used on walls and glass clip for top plate (supplied with kit)
4. Magnetic door seals to be used on diamond shower door

**CASA
LUSSO**

Due to our policy of continuous development, all designs and measurements are intended only as a guide and are subject to change without notice. Being hand made products they are subject to a size variance E&OE. This brochure is representative of the actual products at time of printing. Please confirm all particulars before purchase. Casa Lusso recommends having the product on site before commencing rough in.

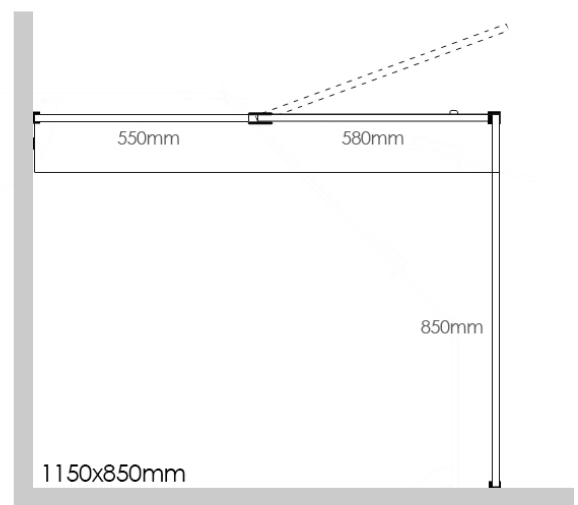
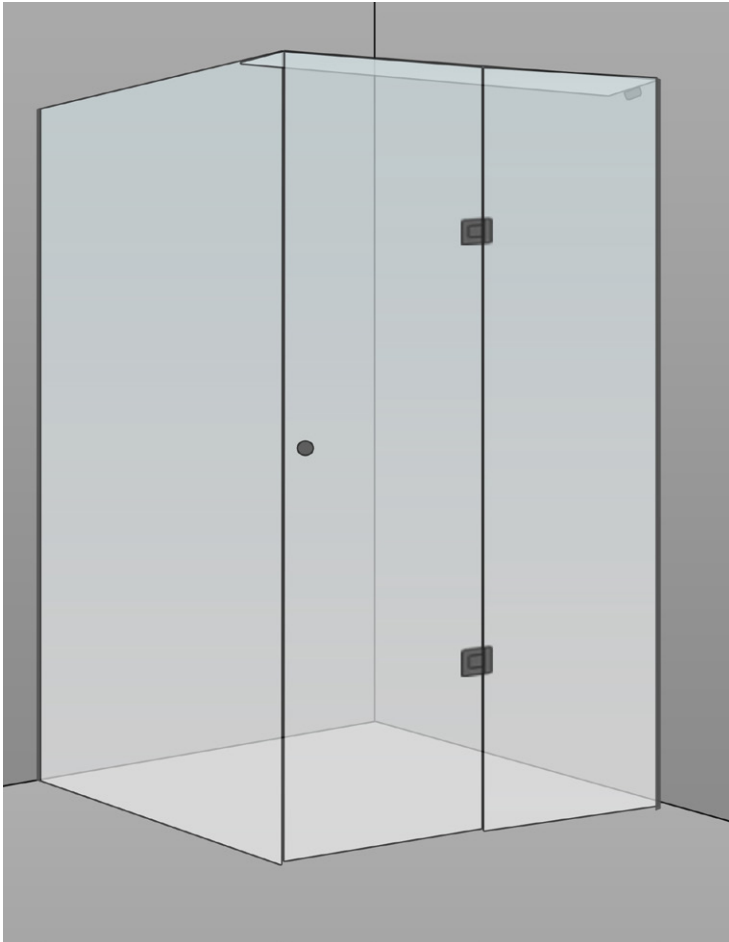
Available at

[hb] Highgrove Bathrooms
www.highgrovebathrooms.com

1150x850x2000mm FRAMELESS SHOWER

FS10850B

2
YEAR
WARRANTY



INCLUDES

- 1 x 850x2000x10mm Tempered Glass Panel
- 1 x 550x2000x10mm Tempered Glass Panel (cut out)
- 1 x 580x1990x10mm Tempered Door Glass Panel
- 1 x 1150x100x10mm Tempered Glass Panel
- 2 x 20x14x2100mm Stainless Steel 304 U Channels
- 1 x Chrome Plated Brass Round Handle
- 2 x Chrome Plated Brass Shower Door Hinges
- 1 x 10mm Glass Clip

SPECIFICATIONS

Made to Australian standards code AS/NZS 2208:1996 Safety glazing materials in buildings. To Meet Australian Safety Standards and Warranty Purposes, Toughened Safety Glass must be Installed By a Licensed Glazier. Due to the Nature of Tempered Safety Glass, Please make sure you take care with transport and handling of Your Products.

Features	Suits SMC Self Supporting Shower Base (sold separately)
Material	10mm Toughened Safety Glass Shower Fittings - Chrome Plated Brass
Code	FS10850B
Warranty	2 year replacement product or parts

FINISHED EXTERNAL GLASS DIMENSIONS

Size 1155x855x2005mm

Assumptions

1. Walls are square to floor
2. Finished external glass measurements are from finished tile surface to outside of glass
3. U-channel is being used on walls and glass clip for top plate (supplied with kit)
4. Magnetic door seals to be used on diamond shower door

**CASA
LUSSO**

Due to our policy of continuous development, all designs and measurements are intended only as a guide and are subject to change without notice. Being hand made products they are subject to a size variance E&OE. This brochure is representative of the actual products at time of printing. Please confirm all particulars before purchase. Casa Lusso recommends having the product on site before commencing rough in.

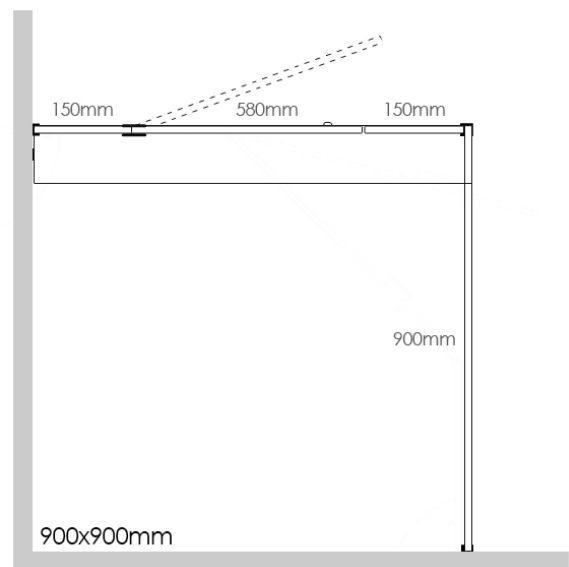
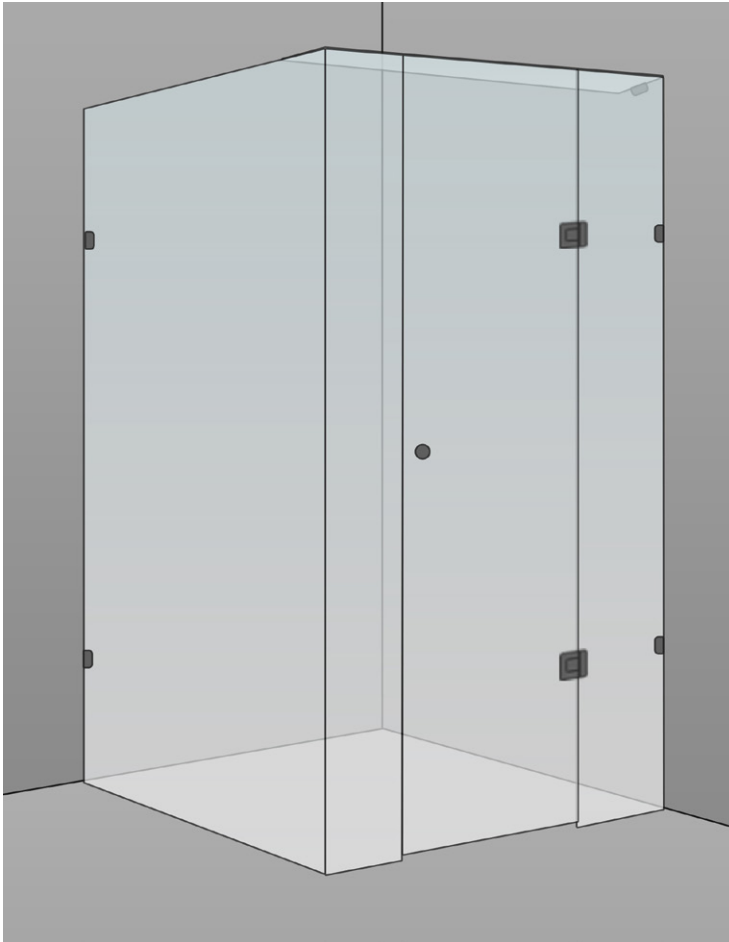
Available at

[hb] Highgrove Bathrooms
www.highgrovebathrooms.com

900x900x2100mm FRAMELESS SHOWER

FS10900A

2
YEAR
WARRANTY



INCLUDES

- 1 x 900x2100x10mm Tempered Glass Panel
- 1 x 150x2100x10mm Tempered Glass Panel
- 1 x 150x2100x10mm Tempered Glass Panel (cut out)
- 1 x 580x2090x10mm Tempered Door Glass Panel
- 1 x 900x100x10mm Tempered Glass Panel
- 1 x Chrome Plated Brass Round Door Handle
- 2 x Chrome Plated Brass Shower Door Hinges
- 5 x 10mm Glass Clips

SPECIFICATIONS

Made to Australian standards code AS/NZS 2208:1996 Safety glazing materials in buildings. To Meet Australian Safety Standards and Warranty Purposes, Toughened Safety Glass must be Installed By a Licensed Glazier. Due to the Nature of Tempered Safety Glass, Please make sure you take care with transport and handling of Your Products.

Material	10mm Toughened Safety Glass Shower Fittings - Chrome Plated Brass
Code	FS10900A
Warranty	2 year replacement product or parts

FINISHED EXTERNAL GLASS DIMENSIONS

Size 905x905x2105mm

Assumptions

1. Walls are square to floor
2. Finished external glass measurements are from finished tile surface to outside of glass
3. Fixing clips are being used on walls & top plate (supplied with kit)
4. Magnetic door seals to be used on diamond shower door

CASA LUSO

Due to our policy of continuous development, all designs and measurements are intended only as a guide and are subject to change without notice. Being hand made products they are subject to a size variance E&OE. This brochure is representative of the actual products at time of printing. Please confirm all particulars before purchase. Casa Lusso recommends having the product on site before commencing rough in.

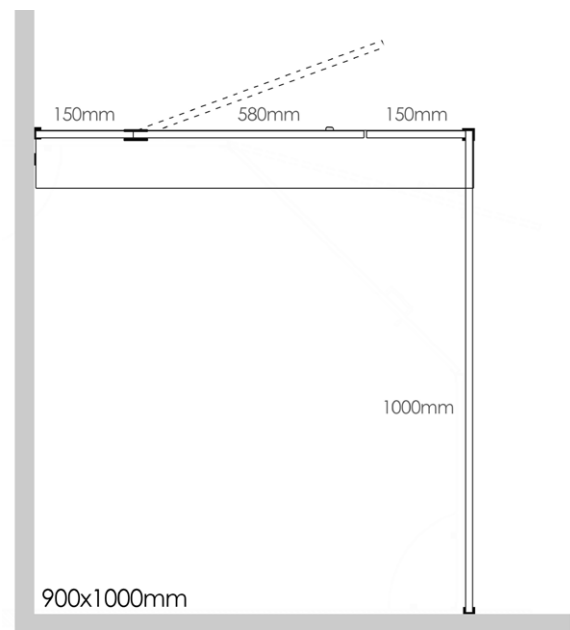
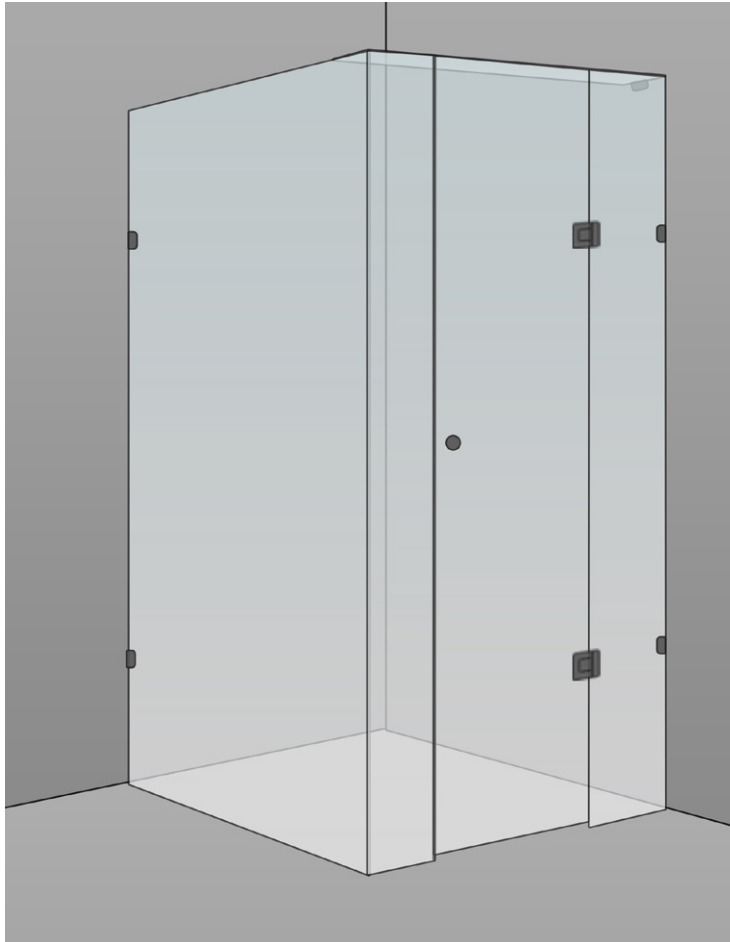
Available at

[hb] Highgrove Bathrooms
www.highgrovebathrooms.com

900x1000x2100mm FRAMELESS SHOWER

FS10900B

2
YEAR
WARRANTY



INCLUDES

- 1 x 1000x2100x10mm Tempered Glass Panel
- 1 x 150x2100x10mm Tempered Glass Panel
- 1 x 150x2100x10mm Tempered Glass Panel (cut out)
- 1 x 580x2090x10mm Tempered Door Glass Panel
- 1 x 900x100x10mm Tempered Glass Panel
- 1 x Chrome Plated Brass Round Door Handle
- 2 x Chrome Plated Brass Shower Door Hinges
- 5 x 10mm Glass Clips

SPECIFICATIONS

Made to Australian standards code AS/NZS 2208:1996 Safety glazing materials in buildings. To Meet Australian Safety Standards and Warranty Purposes, Toughened Safety Glass must be Installed By a Licensed Glazier. Due to the Nature of Tempered Safety Glass, Please make sure you take care with transport and handling of Your Products.

Material	10mm Toughened Safety Glass Shower Fittings - Chrome Plated Brass
Code	FS10900B
Warranty	2 year replacement product or parts

FINISHED EXTERNAL GLASS DIMENSIONS

Size 905x1005x2105mm

Assumptions

1. Walls are square to floor
2. Finished external glass measurements are from finished tile surface to outside of glass
3. Fixing clips are being used on walls & top plate (supplied with kit)
4. Magnetic door seals to be used on diamond shower door

CASA LUSSO

Due to our policy of continuous development, all designs and measurements are intended only as a guide and are subject to change without notice. Being hand made products they are subject to a size variance E&OE. This brochure is representative of the actual products at time of printing. Please confirm all particulars before purchase. Casa Lusso recommends having the product on site before commencing rough in.

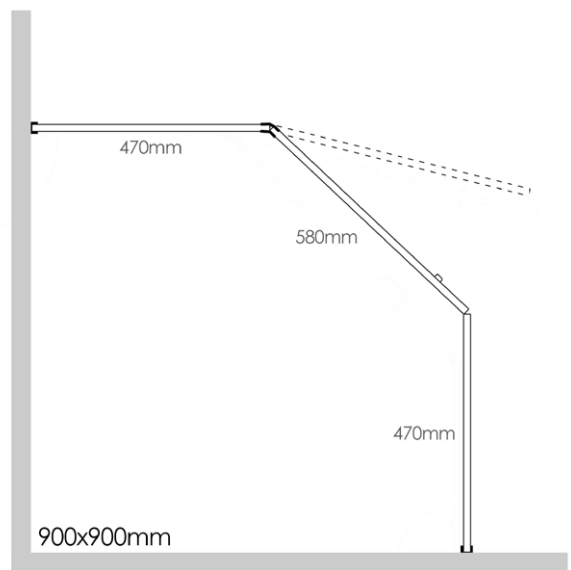
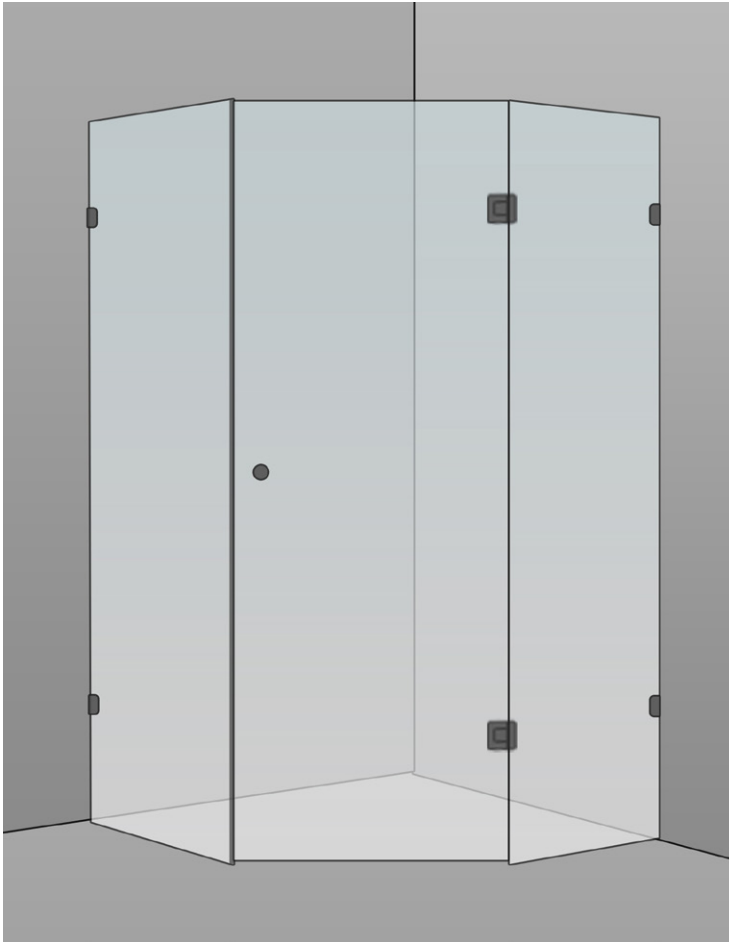
Available at

[hb] Highgrove Bathrooms
www.highgrovebathrooms.com

900x900x2100mm DIAMOND FRAMELESS SHOWER

FS10900C

2
YEAR
WARRANTY



INCLUDES

- 1 x 470x2100x10mm Tempered Glass Panel
- 1 x 470x2100x10mm Tempered Glass Panel (cut out)
- 1 x 580x2090x10mm Tempered Door Glass Panel
- 1 x Chrome Plated Brass Round Door Handle
- 2 x Chrome Plated Brass Shower Door Hinges
- 1 x Glass to Glass Corner Shower Stabilizing Bar
- 1 x 2200x10mm Plastic Seal
- 4 x 10mm Glass Clips
- 1 x Magnetic Door Strip

SPECIFICATIONS

Made to Australian standards code AS/NZS 2208:1996 Safety glazing materials in buildings. To Meet Australian Safety Standards and Warranty Purposes, Toughened Safety Glass must be Installed By a Licensed Glazier. Due to the Nature of Tempered Safety Glass, Please make sure you take care with transport and handling of Your Products.

Material	10mm Toughened Safety Glass Shower Fittings - Chrome Plated Brass
Code	FS10900C
Warranty	2 year replacement product or parts

FINISHED EXTERNAL GLASS DIMENSIONS

Size 905x905x2105mm

Assumptions

1. Walls are square to floor
2. Finished external glass measurements are from finished tile surface to outside of glass
3. Fixing clips are being used on walls & top plate (supplied with kit)
4. Magnetic door seals to be used on diamond shower door

CASA LUSO

Due to our policy of continuous development, all designs and measurements are intended only as a guide and are subject to change without notice. Being hand made products they are subject to a size variance E&OE. This brochure is representative of the actual products at time of printing. Please confirm all particulars before purchase. Casa Lusso recommends having the product on site before commencing rough in.

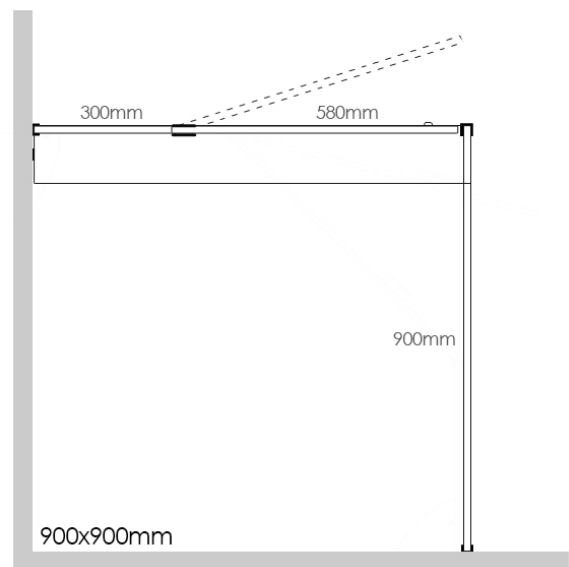
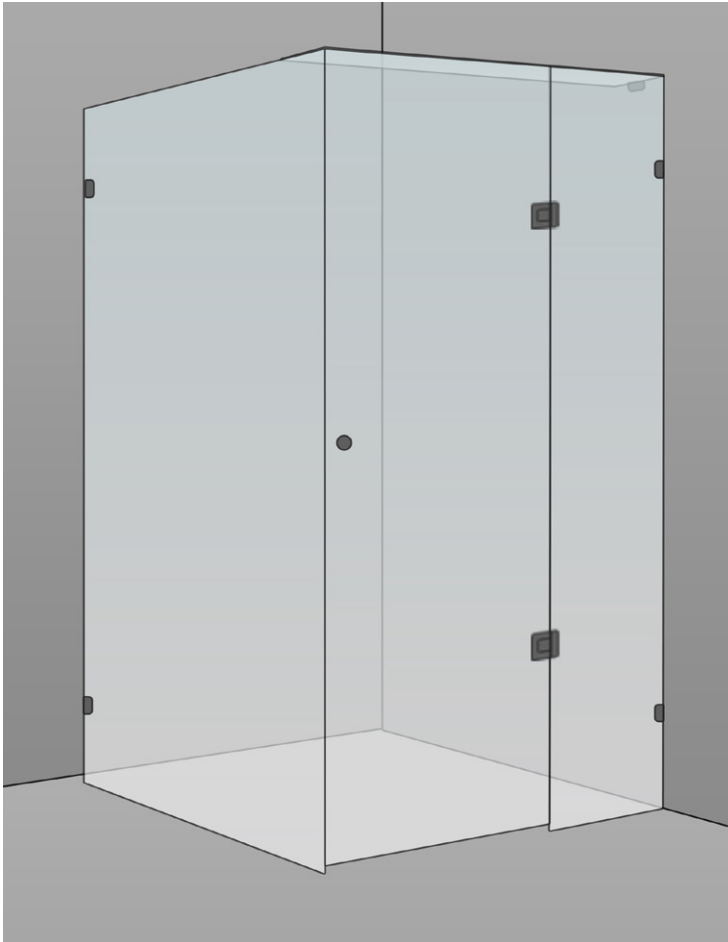
Available at

[hb] Highgrove Bathrooms
www.highgrovebathrooms.com

900x900x2100mm FRAMELESS SHOWER

FS10900D

2
YEAR
WARRANTY



INCLUDES

- 1 x 900x2100x10mm Tempered Glass Panel
- 1 x 300x2100x10mm Tempered Glass Panel (cut out)
- 1 x 580x2090x10mm Tempered Door Glass Panel
- 1 x 900x100x10mm Tempered Glass Panel
- 1 x Chrome Plated Brass Round Door Handle
- 1 x 600mm Plastic Door Seal (bottom seal)
- 2 x Chrome Plated Brass Shower Door Hinges
- 5 x 10mm Glass Clips

SPECIFICATIONS

Made to Australian standards code AS/NZS 2208:1996 Safety glazing materials in buildings. To Meet Australian Safety Standards and Warranty Purposes, Toughened Safety Glass must be Installed By a Licensed Glazier. Due to the Nature of Tempered Safety Glass, Please make sure you take care with transport and handling of Your Products.

Material	10mm Toughened Safety Glass Shower Fittings - Chrome Plated Brass
Code	FS10900D
Warranty	2 year replacement product or parts

FINISHED EXTERNAL GLASS DIMENSIONS

Size 905x905x2105mm

Assumptions

1. Walls are square to floor
2. Finished external glass measurements are from finished tile surface to outside of glass
3. Fixing clips are being used on walls & top plate (supplied with kit)
4. Magnetic door seals to be used on diamond shower door

CASA LUSO

Due to our policy of continuous development, all designs and measurements are intended only as a guide and are subject to change without notice. Being hand made products they are subject to a size variance E&OE. This brochure is representative of the actual products at time of printing. Please confirm all particulars before purchase. Casa Lusso recommends having the product on site before commencing rough in.

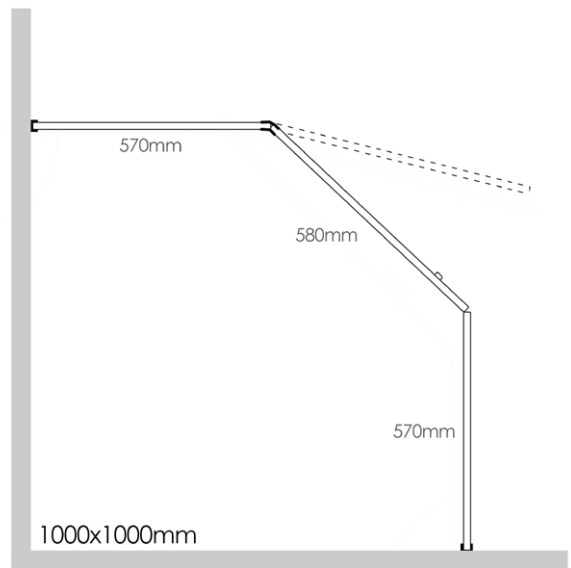
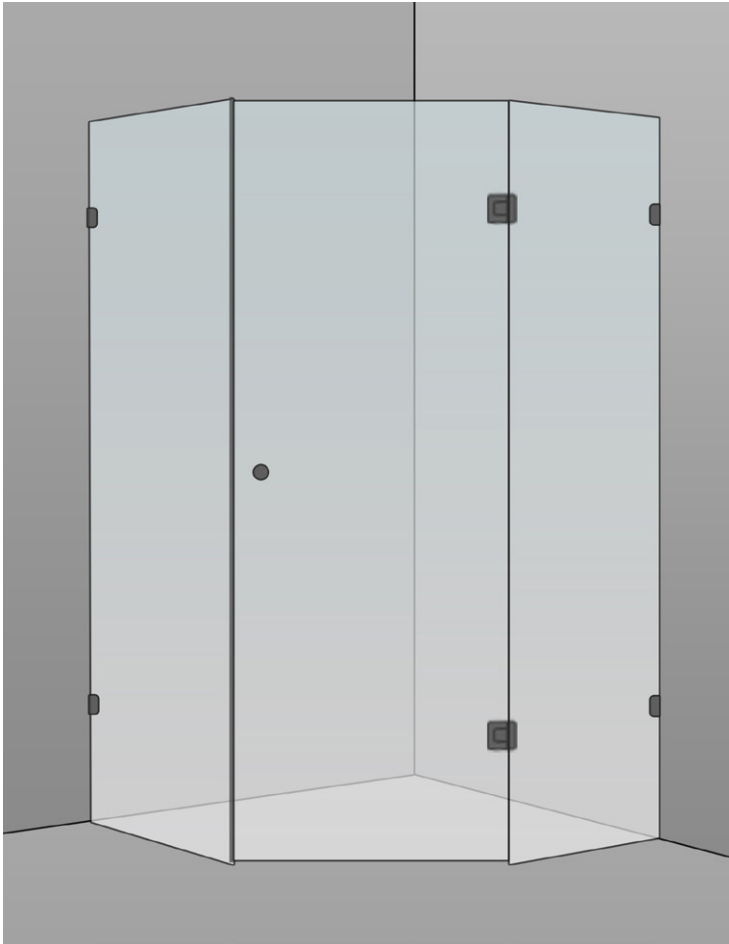
Available at

[hb] Highgrove Bathrooms
www.highgrovebathrooms.com

1000x1000x2100mm DIAMOND FRAMELESS SHOWER

FS101000C

2
YEAR
WARRANTY



INCLUDES

- 1 x 570x2100x10mm Tempered Glass Panel
- 1 x 570x2100x10mm Tempered Glass Panel (cut out)
- 1 x 580x2090x10mm Tempered Door Glass Panel
- 1 x Chrome Plated Brass Round Door Handle
- 2 x Chrome Plated Brass Shower Door Hinges
- 1 x Glass to Glass Corner Shower Stabilizing Bar
- 1 x 2200x10mm Plastic Seal
- 4 x 10mm Glass Clips
- 1 x Magnetic Door Strip

SPECIFICATIONS

Made to Australian standards code AS/NZS 2208:1996 Safety glazing materials in buildings. To Meet Australian Safety Standards and Warranty Purposes, Toughened Safety Glass must be Installed By a Licensed Glazier. Due to the Nature of Tempered Safety Glass, Please make sure you take care with transport and handling of Your Products.

Material	10mm Toughened Safety Glass Shower Fittings - Chrome Plated Brass
Code	FS101000C
Warranty	2 year replacement product or parts

FINISHED EXTERNAL GLASS DIMENSIONS

Size 1005x1005x2105mm

Assumptions

1. Walls are square to floor
2. Finished external glass measurements are from finished tile surface to outside of glass
3. Fixing clips are being used on walls & top plate (supplied with kit)
4. Magnetic door seals to be used on diamond shower door

CASA LUSO

Due to our policy of continuous development, all designs and measurements are intended only as a guide and are subject to change without notice. Being hand made products they are subject to a size variance E&OE. This brochure is representative of the actual products at time of printing. Please confirm all particulars before purchase. Casa Lusso recommends having the product on site before commencing rough in.

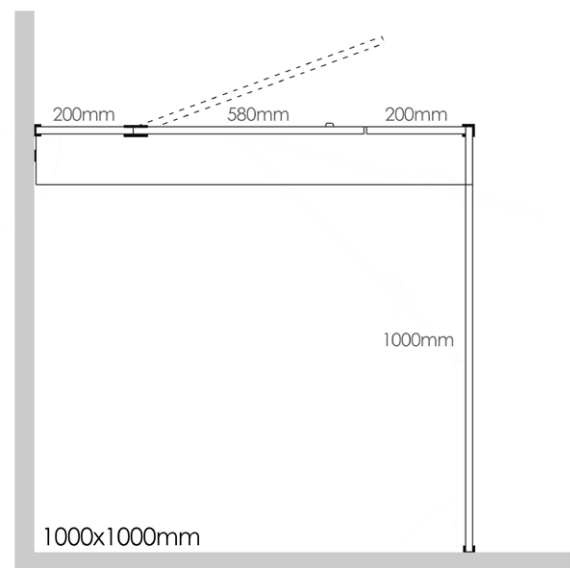
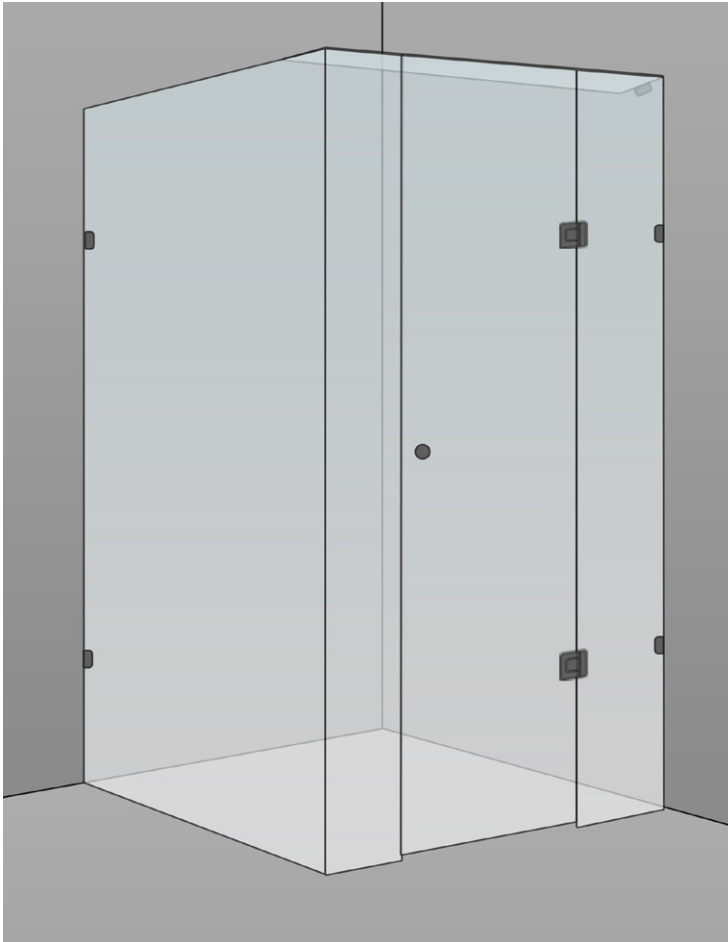
Available at

[hb] Highgrove Bathrooms
www.highgrovebathrooms.com

1000x1000x2100mm FRAMELESS SHOWER

FS101000SQ

2
YEAR
WARRANTY



INCLUDES

- 1 x 1000x2100x10mm Tempered Glass Panel
- 1 x 200x2100x10mm Tempered Glass Panel
- 1 x 200x2100x10mm Tempered Glass Panel (cut out)
- 1 x 580x2090x10mm Tempered Door Glass Panel
- 1 x 1000x100x10mm Tempered Glass Panel
- 1 x Chrome Plated Brass Round Door Handle
- 2 x Chrome Plated Brass Shower Door Hinges
- 5 x 10mm Glass Clips

SPECIFICATIONS

Made to Australian standards code AS/NZS 2208:1996 Safety glazing materials in buildings. To Meet Australian Safety Standards and Warranty Purposes, Toughened Safety Glass must be Installed By a Licensed Glazier. Due to the Nature of Tempered Safety Glass, Please make sure you take care with transport and handling of Your Products.

Material	10mm Toughened Safety Glass Shower Fittings - Chrome Plated Brass
Code	FS101000SQ
Warranty	2 year replacement product or parts

FINISHED EXTERNAL GLASS DIMENSIONS

Size 1005x1005x2105mm

Assumptions

1. Walls are square to floor
2. Finished external glass measurements are from finished tile surface to outside of glass
3. Fixing clips are being used on walls & top plate (supplied with kit)
4. Magnetic door seals to be used on diamond shower door

CASA LUSO

Due to our policy of continuous development, all designs and measurements are intended only as a guide and are subject to change without notice. Being hand made products they are subject to a size variance E&OE. This brochure is representative of the actual products at time of printing. Please confirm all particulars before purchase. Casa Lusso recommends having the product on site before commencing rough in.

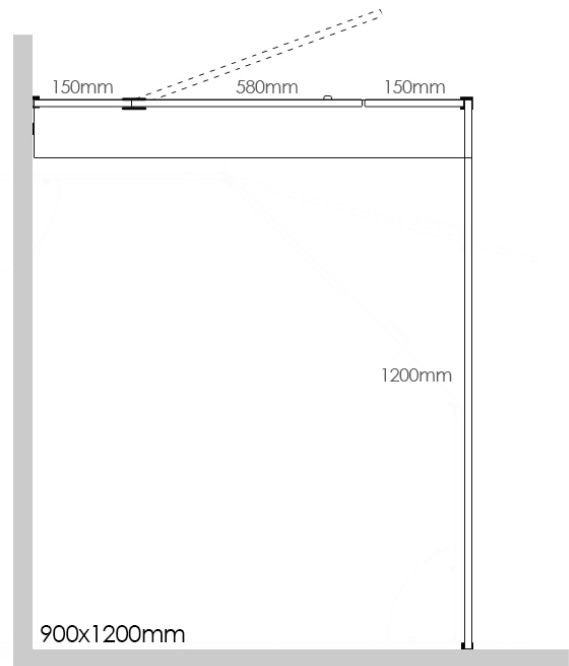
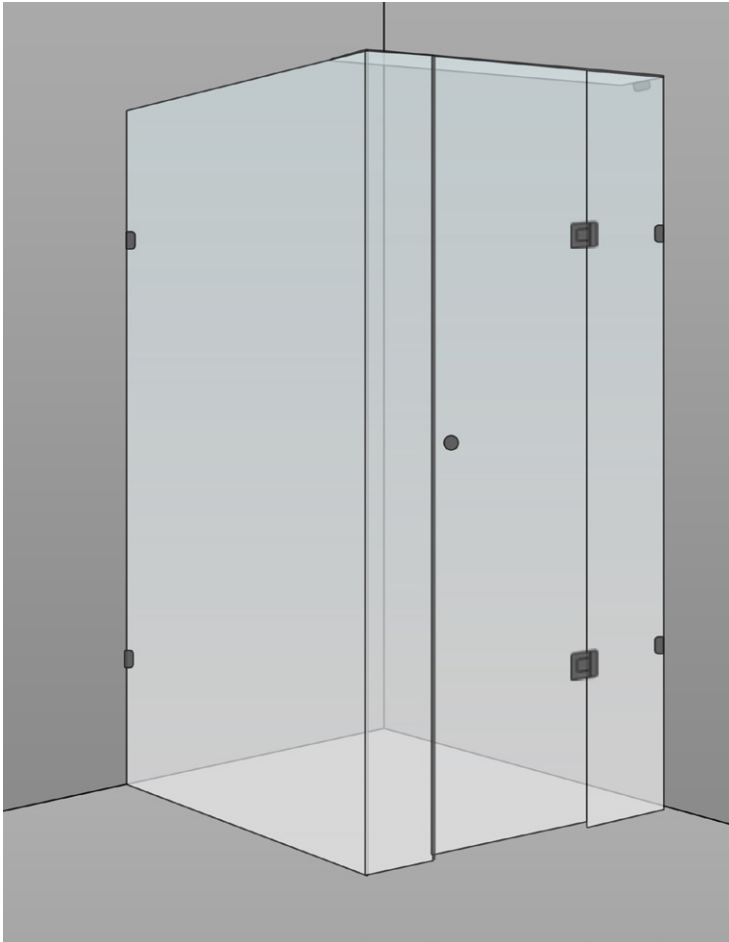
Available at

[hb] Highgrove Bathrooms
www.highgrovebathrooms.com

900x1200x2100mm FRAMELESS SHOWER

FS101200A

2
YEAR
WARRANTY



INCLUDES

- 1 x 1200x2100x10mm Tempered Glass Panel
- 1 x 150x2100x10mm Tempered Glass Panel
- 1 x 150x2100x10mm Tempered Glass Panel (cut out)
- 1 x 580x2090x10mm Tempered Door Glass Panel
- 1 x 900x100x10mm Tempered Glass Panel
- 1 x Chrome Plated Brass Round Door Handle
- 2 x Chrome Plated Brass Shower Door Hinges
- 5 x 10mm Glass Clips

SPECIFICATIONS

Made to Australian standards code AS/NZS 2208:1996 Safety glazing materials in buildings. To Meet Australian Safety Standards and Warranty Purposes, Toughened Safety Glass must be Installed By a Licensed Glazier. Due to the Nature of Tempered Safety Glass, Please make sure you take care with transport and handling of Your Products.

Material	10mm Toughened Safety Glass Shower Fittings - Chrome Plated Brass
Code	FS101200A
Warranty	2 year replacement product or parts

FINISHED EXTERNAL GLASS DIMENSIONS

Size 905x1205x2105mm

Assumptions

1. Walls are square to floor
2. Finished external glass measurements are from finished tile surface to outside of glass
3. Fixing clips are being used on walls & top plate (supplied with kit)
4. Magnetic door seals to be used on diamond shower door

CASA LUSO

Due to our policy of continuous development, all designs and measurements are intended only as a guide and are subject to change without notice. Being hand made products they are subject to a size variance E&OE. This brochure is representative of the actual products at time of printing. Please confirm all particulars before purchase. Casa Lusso recommends having the product on site before commencing rough in.

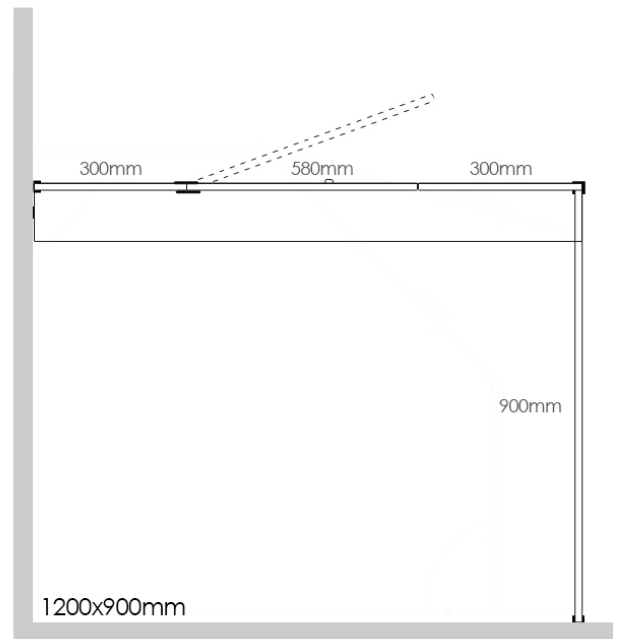
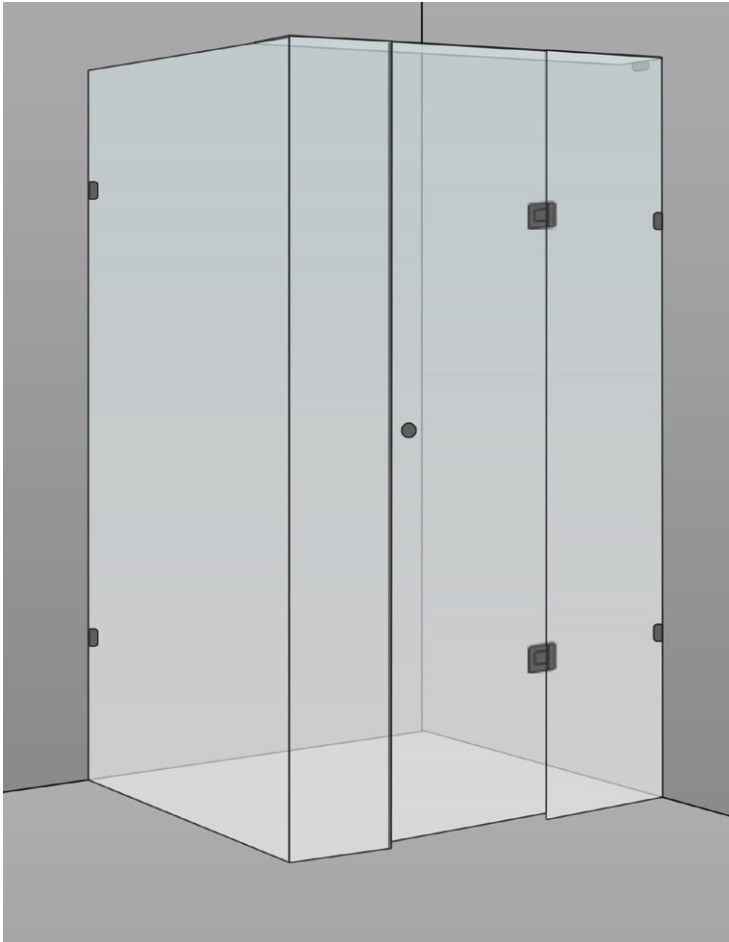
Available at

[hb] Highgrove Bathrooms
www.highgrovebathrooms.com

1200x900x2100mm FRAMELESS SHOWER

FS101200B

2
YEAR
WARRANTY



INCLUDES

- 1 x 900x2100x10mm Tempered Glass Panel
- 1 x 300x2100x10mm Tempered Glass Panel
- 1 x 300x2100x10mm Tempered Glass Panel (cut out)
- 1 x 580x2090x10mm Tempered Door Glass Panel
- 1 x 1200x100x10mm Tempered Glass Panel
- 1 x Chrome Plated Brass Round Door Handle
- 2 x Chrome Plated Brass Shower Door Hinges
- 5 x 10mm Glass Clips

SPECIFICATIONS

Made to Australian standards code AS/NZS 2208:1996 Safety glazing materials in buildings. To Meet Australian Safety Standards and Warranty Purposes, Toughened Safety Glass must be Installed By a Licensed Glazier. Due to the Nature of Tempered Safety Glass, Please make sure you take care with transport and handling of Your Products.

Material	10mm Toughened Safety Glass Shower Fittings - Chrome Plated Brass
Code	FS101200B
Warranty	2 year replacement product or parts

FINISHED EXTERNAL GLASS DIMENSIONS

Size 1205x905x2105mm

Assumptions

1. Walls are square to floor
2. Finished external glass measurements are from finished tile surface to outside of glass
3. Fixing clips are being used on walls & top plate (supplied with kit)
4. Magnetic door seals to be used on diamond shower door

CASA LUSO

Due to our policy of continuous development, all designs and measurements are intended only as a guide and are subject to change without notice. Being hand made products they are subject to a size variance E&OE. This brochure is representative of the actual products at time of printing. Please confirm all particulars before purchase. Casa Lusso recommends having the product on site before commencing rough in.

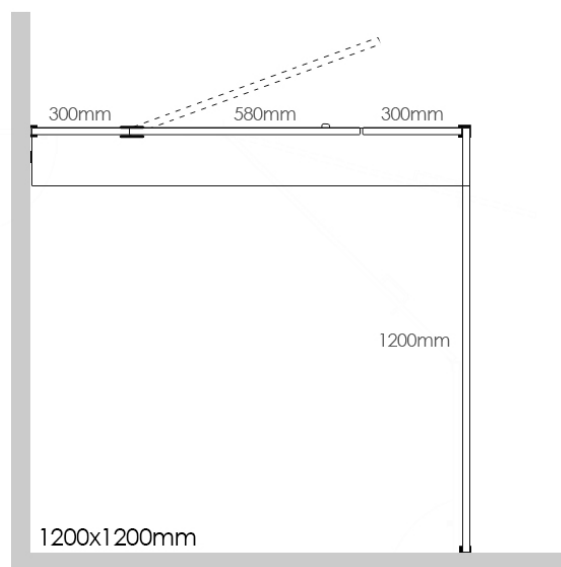
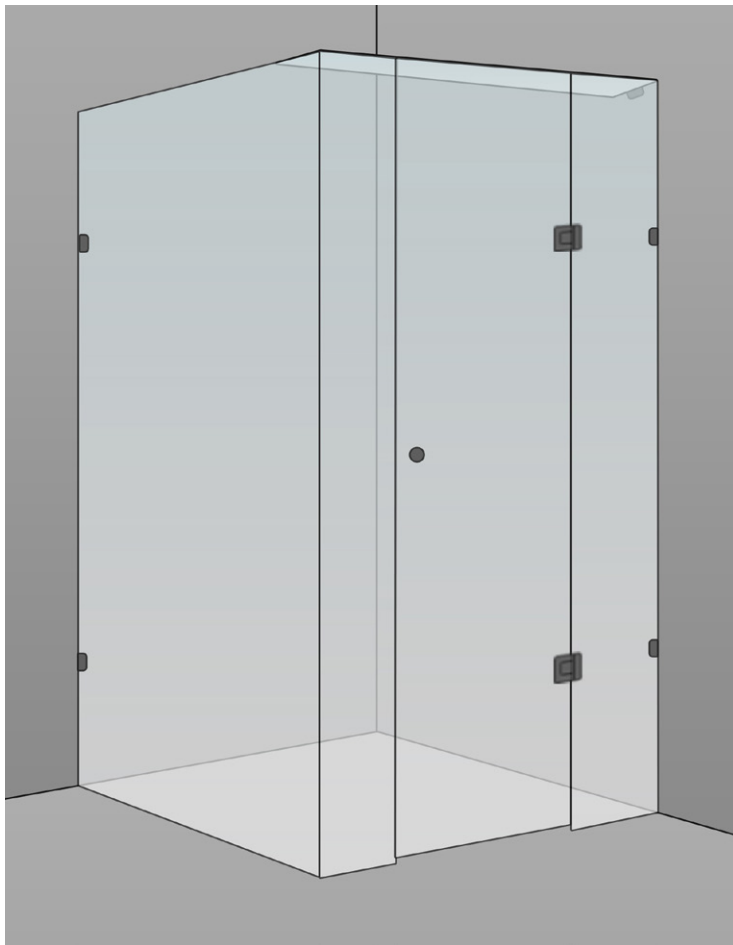
Available at

[hb] Highgrove Bathrooms
www.highgrovebathrooms.com

1200x1200x2100mm FRAMELESS SHOWER

FS101200C

2
YEAR
WARRANTY



INCLUDES

- 1 x 1200x2100x10mm Tempered Glass Panel
- 1 x 300x2100x10mm Tempered Glass Panel
- 1 x 300x2100x10mm Tempered Glass Panel (cut out)
- 1 x 580x2090x10mm Tempered Door Glass Panel
- 1 x 1200x100x10mm Tempered Glass Panel
- 1 x Chrome Plated Brass Round Door Handle
- 2 x Chrome Plated Brass Shower Door Hinges
- 5 x 10mm Glass Clips

SPECIFICATIONS

Made to Australian standards code AS/NZS 2208:1996 Safety glazing materials in buildings. To Meet Australian Safety Standards and Warranty Purposes, Toughened Safety Glass must be Installed By a Licensed Glazier. Due to the Nature of Tempered Safety Glass, Please make sure you take care with transport and handling of Your Products.

Material	10mm Toughened Safety Glass Shower Fittings - Chrome Plated Brass
Code	FS101200C
Warranty	2 year replacement product or parts

FINISHED EXTERNAL GLASS DIMENSIONS

Size 1205x1205x2105mm

Assumptions

1. Walls are square to floor
2. Finished external glass measurements are from finished tile surface to outside of glass
3. Fixing clips are being used on walls & top plate (supplied with kit)
4. Magnetic door seals to be used on diamond shower door

CASA LUSSO

Due to our policy of continuous development, all designs and measurements are intended only as a guide and are subject to change without notice. Being hand made products they are subject to a size variance E&OE. This brochure is representative of the actual products at time of printing. Please confirm all particulars before purchase. Casa Lusso recommends having the product on site before commencing rough in.

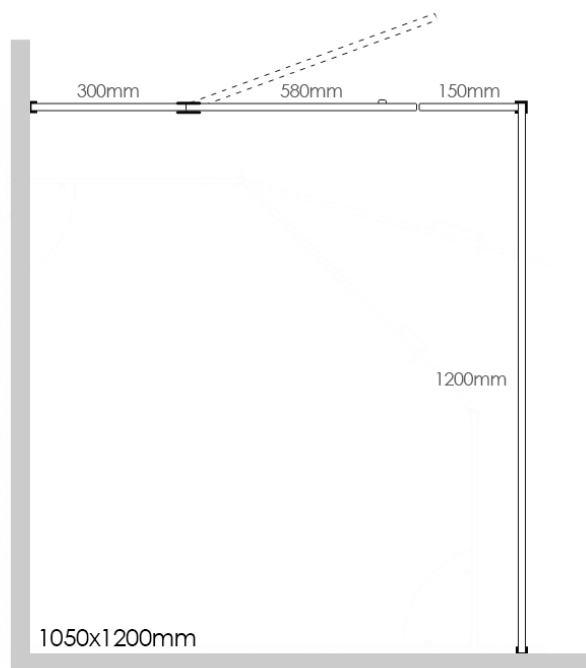
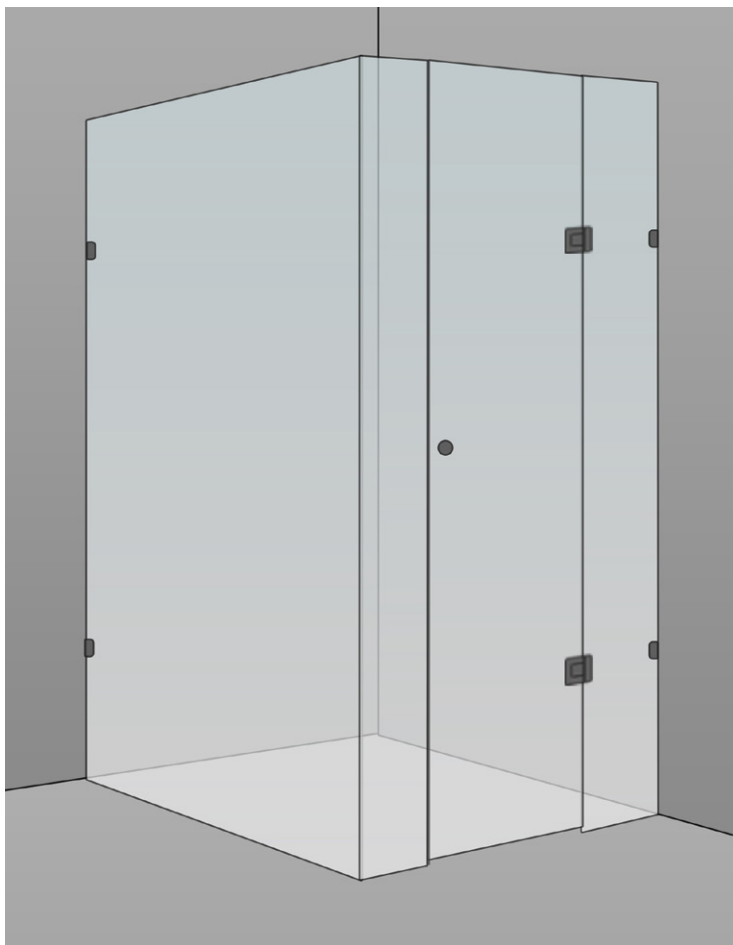
Available at

[hb] Highgrove Bathrooms
www.highgrovebathrooms.com

1050x1200x2100mm FRAMELESS SHOWER

FS101200D

2
YEAR
WARRANTY



INCLUDES

- 1 x 1200x2100x10mm Tempered Glass Panel
- 1 x 150x2100x10mm Tempered Glass Panel
- 1 x 300x2100x10mm Tempered Glass Panel (cut out)
- 1 x 580x2090x10mm Tempered Door Glass Panel
- 1 x Chrome Plated Brass Round Door Handle
- 2 x Chrome Plated Brass Shower Door Hinges
- 4 x 10mm Glass Clips

SPECIFICATIONS

Made to Australian standards code AS/NZS 2208:1996 Safety glazing materials in buildings. To Meet Australian Safety Standards and Warranty Purposes, Toughened Safety Glass must be Installed By a Licensed Glazier. Due to the Nature of Tempered Safety Glass, Please make sure you take care with transport and handling of Your Products.

Material	10mm Toughened Safety Glass Shower Fittings - Chrome Plated Brass
Code	FS101200D
Warranty	2 year replacement product or parts

FINISHED EXTERNAL GLASS DIMENSIONS

Size 1055x1205x2105mm

Assumptions

1. Walls are square to floor
2. Finished external glass measurements are from finished tile surface to outside of glass
3. Fixing clips are being used on walls & top plate (supplied with kit)
4. Magnetic door seals to be used on diamond shower door

CASA LUSO

Due to our policy of continuous development, all designs and measurements are intended only as a guide and are subject to change without notice. Being hand made products they are subject to a size variance E&OE. This brochure is representative of the actual products at time of printing. Please confirm all particulars before purchase. Casa Lusso recommends having the product on site before commencing rough in.

Available at

[hb] Highgrove Bathrooms
www.highgrovebathrooms.com