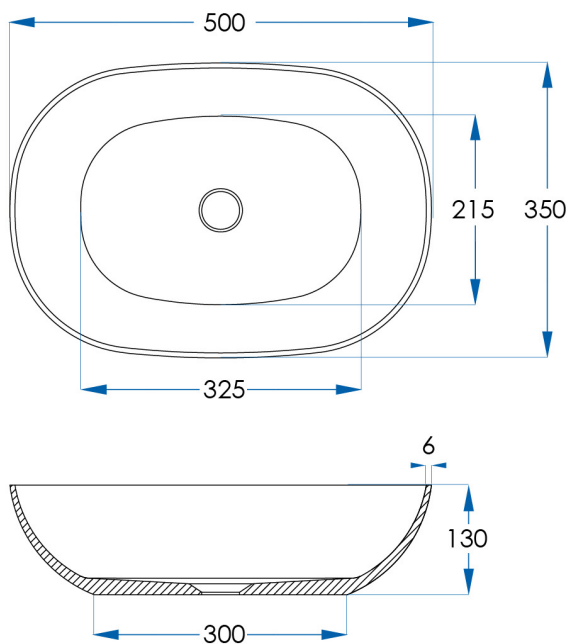


# LUSINI

Solid Surface Basin 500mm

**15**  
YEAR  
WARRANTY



## SPECIFICATIONS

<b>Size</b>	500x350mm
<b>Depth</b>	130mm
<b>Material</b>	Solid surface basin with smooth, matte, scratch & chip resistant finish
<b>Weight</b>	5.2kg
<b>Capacity</b>	11L
<b>Waste Size</b>	32mm without Overflow
<b>Code</b>	BLU101
<b>Warranty</b>	15 year replacement product

## Fine Lines

Solid Surface Collection

Due to our policy of continuous development, all designs and measurements are intended only as a guide and are subject to change without notice. Being hand made products they are subject to a size variance E&OE.

This brochure is representative of the actual products at time of printing. Please confirm all particulars before purchase. Fine Lines recommends having the product on site before commencing rough in.

Available at

**[hb]** Highgrove Bathrooms  
[www.highgrovebathrooms.com.au](http://www.highgrovebathrooms.com.au)