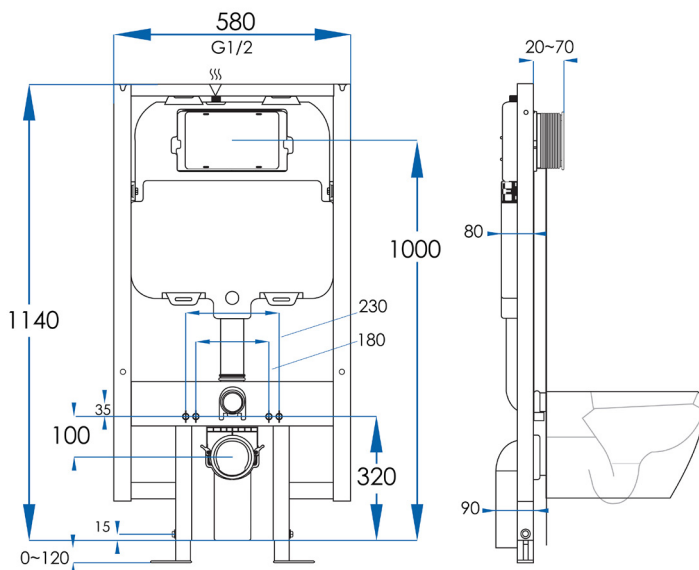


WALL HUNG TOILET BRACKET + CISTERN

For Pneumatic Wall Hung Pan Toilets

7
YEAR
WARRANTY



PNEUMATIC PLATES To suit K301A-Q



K5233MB
Matte Black



K5233CH
Chrome



K5233BB
Brushed Brass



K5233BN
Brushed Nickel

Size 235x150x100mm Material ABS Construction Warranty 7 year replacement product



K5210B
Black



K5210W
White

Size 232x148x95mm Material Glass Warranty 7 year replacement product



WaterMark

AS1172
LN 21587
WDI

SPECIFICATIONS

Features	Designed for wall hung pan toilet suite Adjustable support frame legs (up to 12cm) 8cm frame thickness Inlet hole located at top
Installation	For front actuation, dry wall & solid wall installation. Fasten distance for wall hung pan = 18 or 23cm Floor construction (Up to 12cm) Supplied to suit pneumatic push plates K5210B, K5210W and K5233 (sold separately)
Kit Includes	Pneumatic Cistern, Water supply angle valve, protection box for installation, installation plug, discharge bend and outlet, M12 fixation rods for toilet & fastening materials.
Code	K301A-Q
Warranty	7 year replacement product
Important	Installer must ensure that the frame is fixed appropriately to structure to be able to support 400kg on the pan.

CASA LUSO

Due to our policy of continuous development, all designs and measurements are intended only as a guide and are subject to change without notice. Being hand made products they are subject to a size variance E&OE. This brochure is representative of the actual products at time of printing. Please confirm all particulars before purchase. Casa Lusso recommends having the product on site before commencing rough in.

Available at

[hb] Highgrove Bathrooms
www.highgrovebathrooms.com.au