

Eden Modular Wall Hung Vanities

Congratulations on the purchase of your Eden Modular Wall Hung Vanity Unit.

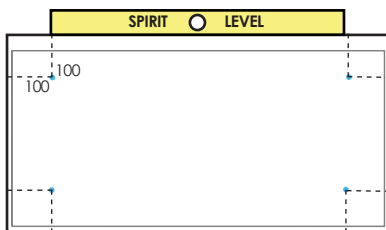
The Eden Series has a unique design which allows for a modular assembly where several sizes and layouts can be achieved to suit your own application.

The range features our premium luxury soft-close drawers, with full length extension runners and the adaptive cushioning which close gently and silently every time.

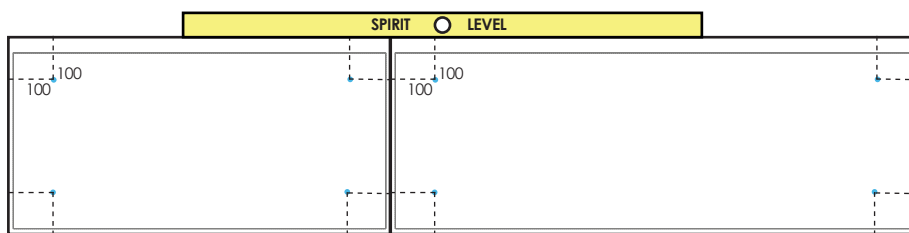
Installation

To install your vanity to the wall is easy. First, make sure wall is plumb, use packers if required. Use temporary supports underneath your cabinet and ensure the vanity is level at the beginning and throughout to assist your installation. Each modular cabinet should have 4 fixing points. The fixing points should be 100 x 100mm in from each corner of the cabinet and fixed to your wall noggins. See below diagrams for fixing points.

Single Vanity Cabinet



Modular Vanity Cabinet



IMPORTANT CUSTOMER NOTICE

PLEASE READ THIS BEFORE OPENING AND INSTALLING THIS PRODUCT.

If this product has arrived damaged, please return it immediately back to your place of purchase.

DO NOT INSTALL THIS PRODUCT IF IT IS DAMAGED

If this product has been installed damaged, both the supplier and retailer will NOT be responsible for the costs associated to the repairing or the exchanging of this product.

Before the Installation

This item must be checked for accuracy to size, colour and any defects. In respect to defects which had already existing before the installation, claims cannot be admitted after installation.



**Direct exposure to sunlight may cause this unit to fade.
This unit is water resistant only NOT waterproof.**

Features

Cabinet Sizes:

300 x 495 x 330mm
595 x 495 x 330mm
745 x 495 x 330mm
895 x 495 x 330mm

Material:

Moisture Resistant Cabinets
Available in two colours
Textured Woodgrain
2 Pac White Gloss

Installation: Wall Mount

Includes: Cabinet Only
Vanity Top sold separately
(Wall Fixings are not supplied)

Recommended Use: Domestic

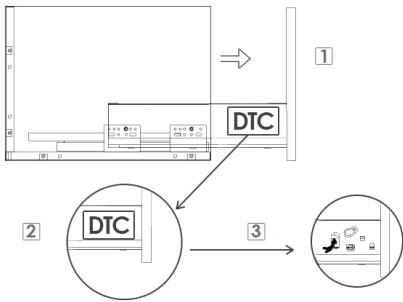
Warranty: 5 Year replacement product and parts: 1 year labour
All replacement products will be available to collect from your nearest Highgrove Bathrooms store, unless otherwise agreed between the customer and Highgrove Bathrooms.

Product Care & Maintenance:

Do not use corrosive or abrasive cleaning agents or materials. Failure to do so may harm the longevity of your product or void warranty periods. Direct exposure to sunlight may cause this unit to fade. This unit is water resistant only, not waterproof.

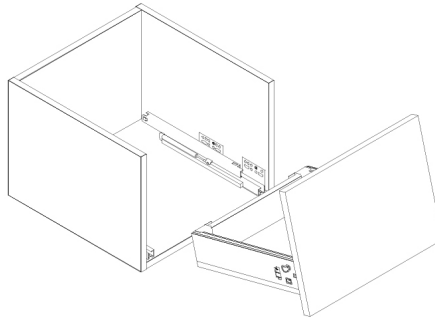
Steps to remove drawer

1



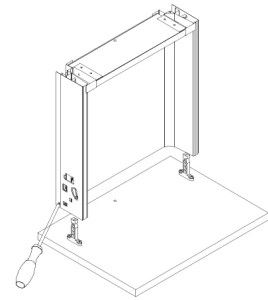
1. Pull out the drawer.
2. Remove the DTC caps from each side.
3. Rotate the screw in a clockwise direction.

2



Hold the drawer by both sides and remove from the cabinet.

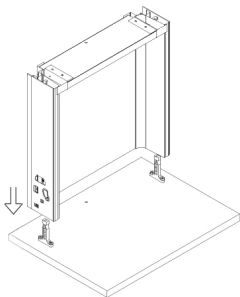
3



Use a Phillips head screwdriver to rotate the hasp between the drawer front in a clockwise direction then remove the drawer front away from the base of the drawer.

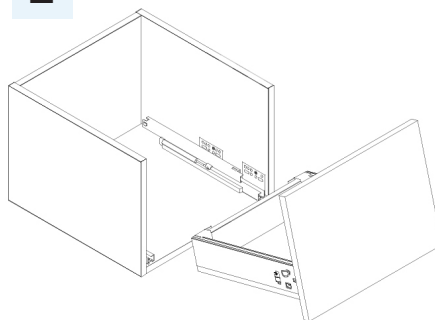
Steps to reassemble drawer

1



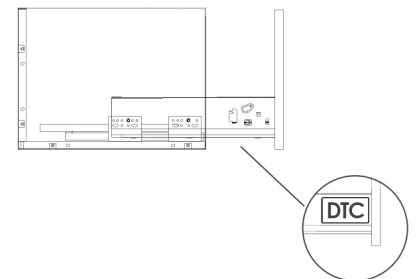
Align the base of the drawer with the drawer front (as pictured). Slowly connect together until you hear a click. This ensures it is securely connected.

2



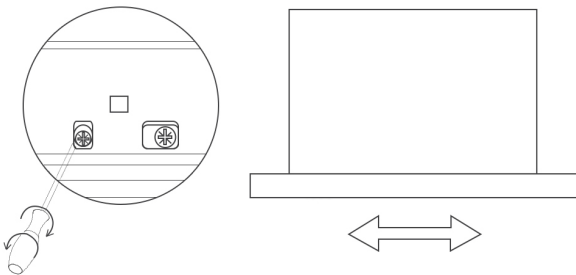
Insert the complete drawer onto the runners. Keep pushing the drawer in until the drawer connects into place and you hear a click.

3

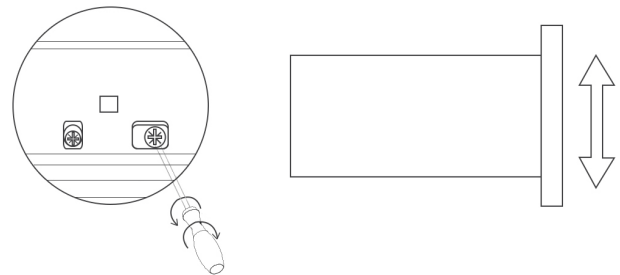


Once the drawer is in place, return the DTC caps back onto the runner on both sides.

Drawer front adjustment



To adjust the drawer front from left to right, use the smaller screw point (as pictured) on the right hand side of the cabinet. To adjust left, turn anti-clockwise and right, turn clockwise to your desired position.



To adjust the drawer front up or down, use the larger screw point (as pictured) making sure the adjustment is made on both sides to ensure the drawer front is level.