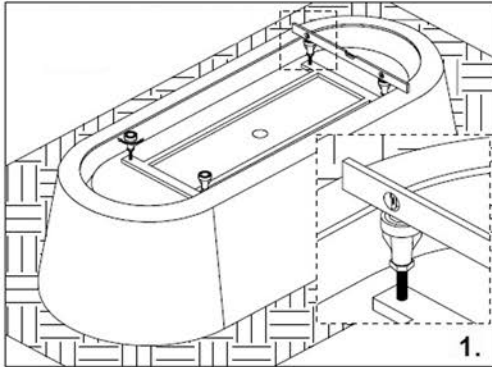


Freestanding Baths

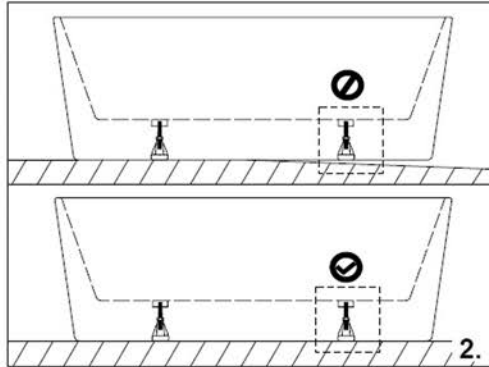
Installation Instructions

CASA LUSSO

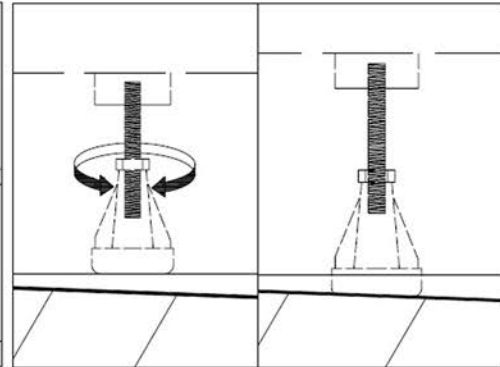


- Ensure legs are adjusted in line with the base of bath.

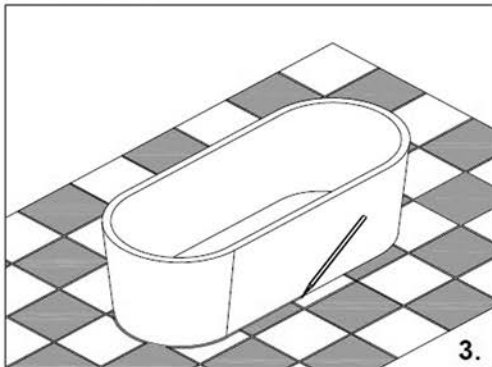
⚠ Assemble bath on a mat to protect against damage to bath surface.



- Check that bath sits flat; if required adjust legs to compensate for floor level.

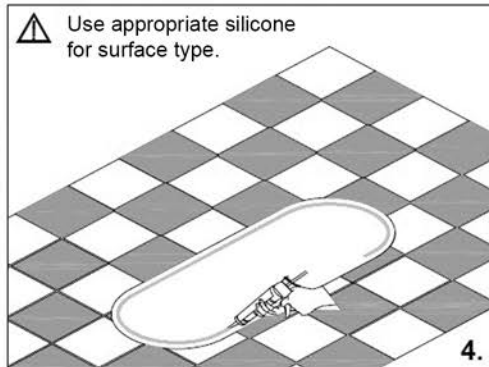


- ⚠ • Before step 3 set waste connection in position.



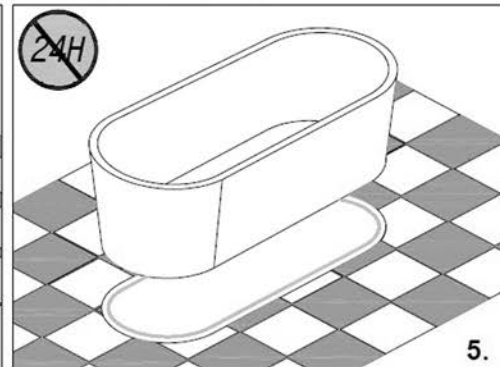
- With pencil trace outline of bath.

⚠ This installation guide does not include details of waste connection; final decision about installation of waste connection should be taken by a suitably qualified person.

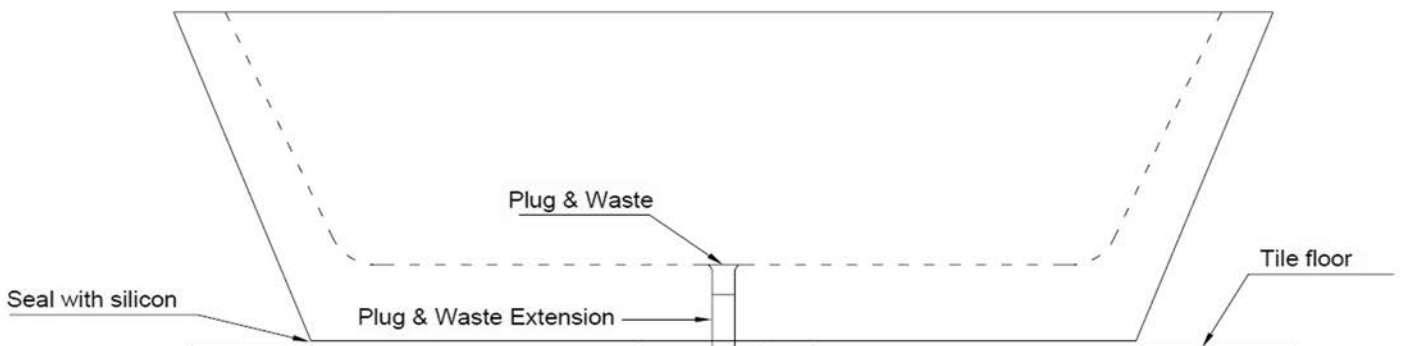


- ⚠ Use appropriate silicone for surface type.

- Apply a thick bead of silicone within bath outline.



- Set bath in final position.



Due to our policy of continuous development, all designs and measurements are intended only as a guide and are subject to change without notice. Being hand made products they are subject to a size variance E&OE. This brochure is representative of the actual products at time of printing. Please confirm all particulars before purchase. Casa Lusso recommends having the product on site before commencing rough in.