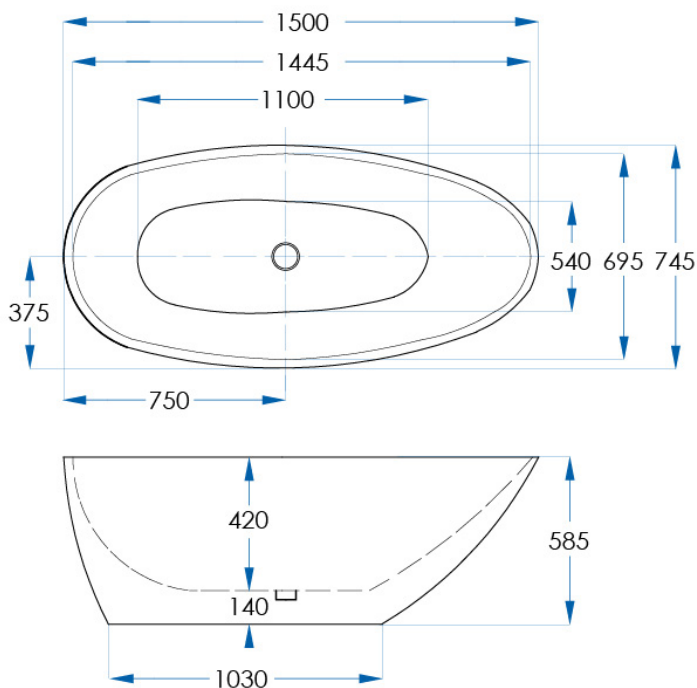


LUCINI

Freestanding Bath 1500mm Matte Black

7
YEAR
WARRANTY



SPECIFICATIONS

Size	1500x745mm
Height	585mm
Material	Sanitary Grade Acrylic
Waste Size	40mm
Capacity	250L
Weight	48kg
Code	LUC1500-MB
Warranty	7 year replacement product (bath shell): 1 year labour

CASA LUSO

Due to our policy of continuous development, all designs and measurements are intended only as a guide and are subject to change without notice. Being hand made products they are subject to a size variance E&OE. This brochure is representative of the actual products at time of printing. Please confirm all particulars before purchase. Casa Lusso recommends having the product on site before commencing rough in.

Available at

hb Highgrove Bathrooms
www.highgrovebathrooms.com.au