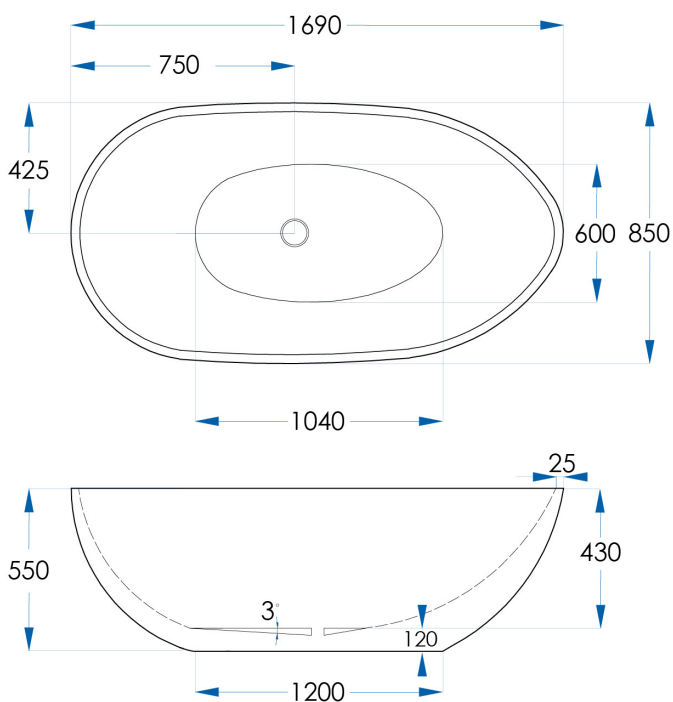


# LUCINI

Freestanding Bath 1700mm Gloss White

**7**  
YEAR  
WARRANTY



## SPECIFICATIONS

<b>Size</b>	1690x850mm
<b>Height</b>	550mm
<b>Material</b>	Sanitary Grade Acrylic
<b>Waste Size</b>	40mm
<b>Capacity</b>	300L
<b>Weight</b>	53kg
<b>Code</b>	LUC1700-W
<b>Warranty</b>	7 year replacement product (bath shell): 1 year labour

**CASA LUSO**

Due to our policy of continuous development, all designs and measurements are intended only as a guide and are subject to change without notice. Being hand made products they are subject to a size variance E&OE. This brochure is representative of the actual products at time of printing. Please confirm all particulars before purchase. Casa Lusso recommends having the product on site before commencing rough in.

Available at

**[hb] Highgrove Bathrooms**  
[www.highgrovebathrooms.com.au](http://www.highgrovebathrooms.com.au)