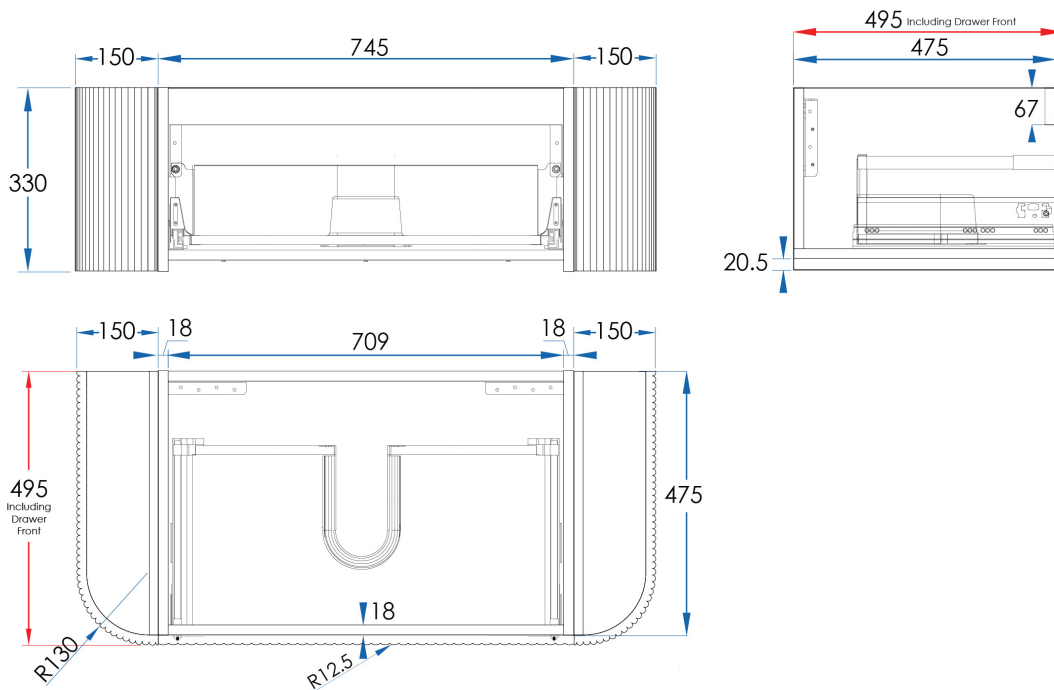
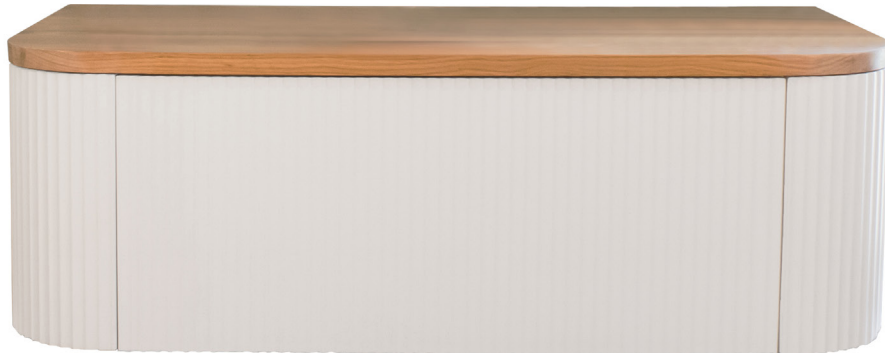


WAVE

Curved Wall Hung Vanity 1050mm Matte White

5
YEAR
WARRANTY



SPECIFICATIONS

Size	1045x330x495mm (Including Drawer)
Material	Moisture Resistant 2 Pac with Full Length Extension Runners with Adaptive Cushioning which close gently and silently. DTC Drawer Runner Hardware.
Colour/Finish	Matte White Cabinet, Matte White Drawer Front and 2x Curved Corner cabinets with a sleek look and delicate detailing.
Installation	Wall Mount
Code	WCW1050-M
Warranty	5 Year replacement product and parts: 1 year labour
Notes	Tops, Handles, Tapware and Basins Sold Separately

CASA LUSSO

Available at **[hb] Highgrove Bathrooms.com.au**

Due to our policy of continuous development, all designs and measurements are intended only as a guide and are subject to change without notice. Being hand made products they are subject to a size variance E&OE. This brochure is representative of the actual products at time of printing. Please confirm all particulars before purchase. Casa Lusso recommends having the product on site before commencing rough in. For our own established efforts supporting environmental and health preservation all of our Vanities are made to the commercially recognised E1 Standard.