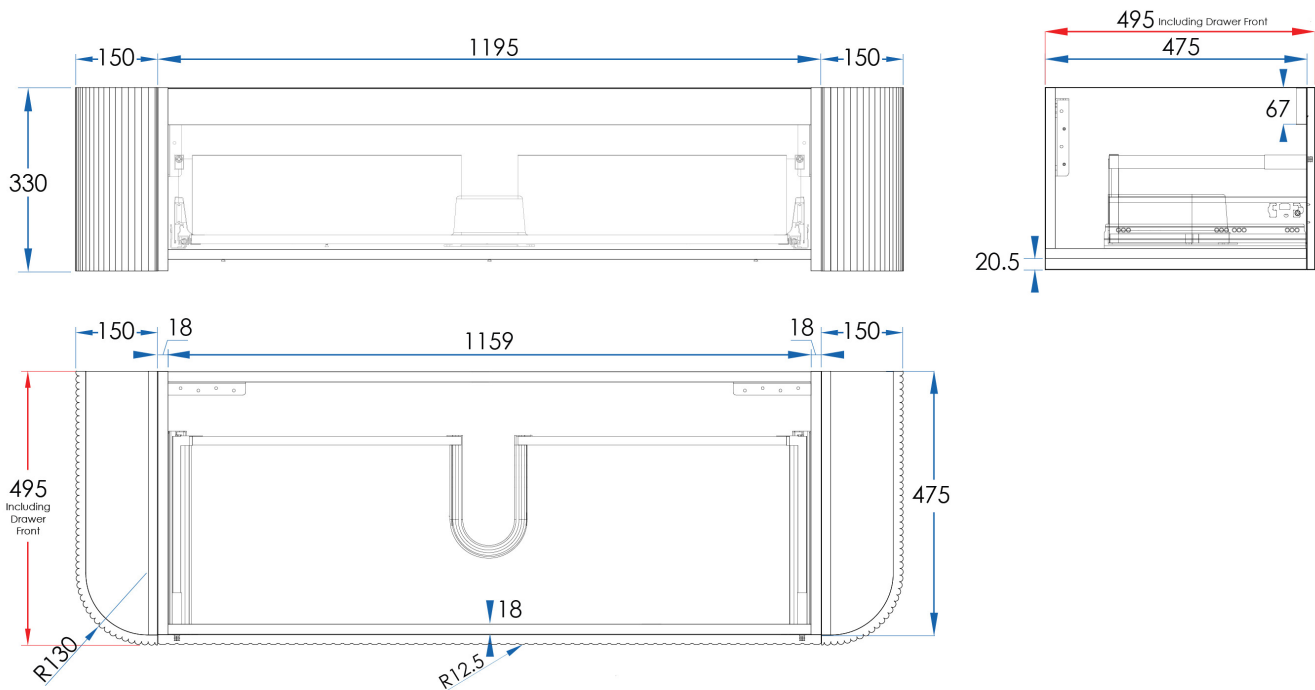


# WAVE

Curved Wall Hung Vanity 1500mm Matte White

**5**  
YEAR  
WARRANTY



## SPECIFICATIONS

<b>Size</b>	1495x330x495mm (Including Drawer)
<b>Material</b>	Moisture Resistant 2 Pac with Full Length Extension Runners with Adaptive Cushioning which close gently and silently. HETTICH Drawer Runner Hardware
<b>Colour/Finish</b>	Matte White Cabinet, Matte White Drawer Front and 2x Curved Corner cabinets with a sleek look and delicate detailing.
<b>Installation</b>	Wall Mount
<b>Code</b>	WCW1500-M
<b>Warranty</b>	5 Year replacement product and parts: 1 year labour
<b>Notes</b>	Tops, Handles, Tapware and Basins Sold Separately

**CASA LUSSO**

Available at **[hb] Highgrove Bathrooms.com.au**

Due to our policy of continuous development, all designs and measurements are intended only as a guide and are subject to change without notice. Being hand made products they are subject to a size variance E&OE. This brochure is representative of the actual products at time of printing. Please confirm all particulars before purchase. Casa Lusso recommends having the product on site before commencing rough in. For our own established efforts supporting environmental and health preservation all of our Vanities are made to the commercially recognised E1 Standard.