

**CONGRATULATIONS ON THE PURCHASE OF YOUR NEW CASA LUSSO TAPWARE, WE HOPE YOU AND YOUR FAMILY ENJOY YOUR NEW PRODUCT AND CONSIDER US FOR ANY FUTURE PROJECT. CASA LUSSO PRODUCTS HAVE BEEN MANUFACTURED UNDER THE HIGHEST STANDARDS OF QUALITY AND WORKMANSHIP.**

### FEATURES

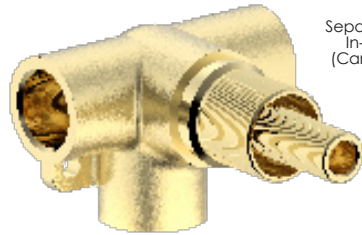
**Product Code:** SD-DA

**Premium Warranty (Domestic Use) :**

7 year Replacement products and parts<sup>1</sup>  
1 year parts & labour<sup>2</sup>

**Material:** Plated Solid Brass Construction

<sup>1</sup> Excludes Damage to ceramic disk cartridges from pieces of copper tube, plastic tube, sand, dirt or thread tube etc. All speciality finishes are subject to 2 year replacement product and parts and 1 year replacement product and parts & labour. <sup>2</sup> Jumper valves and ceramic disk spindles; 1 year parts only.



Separate Diverter In-Wall Body (Cartridge Only) SD-DA

Made to Australian Standards code: AS 3718  
Water supply - Tapware WM 30023

#### SPIN Diverter Handle Kit



Chrome  
SD-HK-CH



Matte Black  
SD-HK-MB



Brushed Brass  
SD-HK-BB



Brushed Nickel  
SD-HK-BN



Gunmetal  
SD-HK-GM

#### MESH Diverter Handle Kit



Chrome  
SD-MHK-CH



Matte Black  
SD-MHK-MB



Brushed Brass  
SD-MHK-BB



Brushed Nickel  
SD-MHK-BN



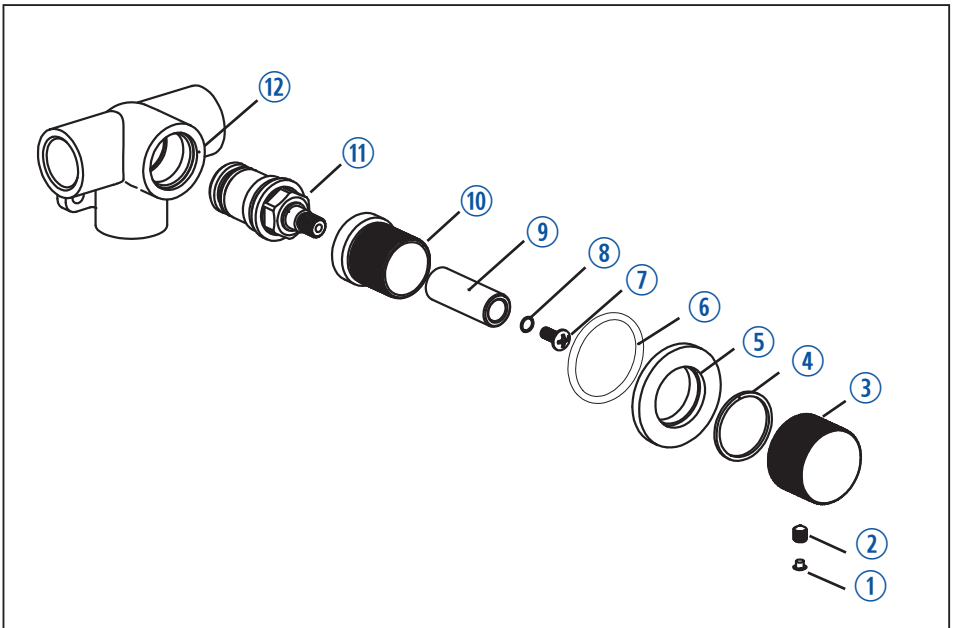
Gunmetal  
SD-MHK-GM

**ALL KITS INCLUDE 1X HANDLE AND 1X 30MM DRESS RING (40MM DRESS RING FOR SQUARE HANDLE KIT). 60MM DRESS RINGS ARE AVAILABLE AND SOLD SEPARATELY.**



AS 3718  
WM 30023  
CASA LUSSO

**FAILURE TO COMPLY WITH ANY OF THE ABOVE INSTRUCTIONS WILL VOID ALL WARRANTIES**



### CONTENTS

- |                |              |                 |
|----------------|--------------|-----------------|
| ① Button       | ⑤ Dress Ring | ⑨ Sleeve        |
| ② Grub Screw   | ⑥ O-ring     | ⑩ Adaptor       |
| ③ Handle       | ⑦ Screw      | ⑪ Cartridge     |
| ④ White Gasket | ⑧ Washer     | ⑫ Diverter Body |

### IMPORTANT

#### IT IS IMPORTANT TO FLUSH OUT THE WATER PIPES BEFORE INSTALLING THE MIXER.

- Hot and cold water inlet pressures should be equal.
- Inlet pressure range: 150 – 500 kPa
- New Regulation:  
500 kPa maximum operating pressure at any outlet within a building. (Ref. AS/NZS 3500)
- Maximum hot water temperature: 80°C.

FAILURE TO COMPLY WITH ANY OF THE ABOVE INSTRUCTIONS WILL VOID ALL WARRANTIES

### INSTALLATION

1. The thickness of your Tile/Glue/Sheet should be calculated prior to installation; it is suggested that a Nogging should be set 60mm in from the estimated outside finished Tile/Wall to give you adjustment +/-5mm. Alternatively see below:

Setting the Nogging 30mm behind the face of wall stud will give you a Tile/Glue/Sheet thickness variance of 25-30mm. Setting the Nogging 35mm behind the face of wall stud will give you a Tile/Grout/Sheet thickness variance of 20-30mm.

2. Level the bottom point of the diverter and fix using screws to Nogging, making sure the diverter is aligned square.

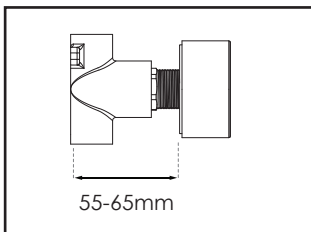
**IT IS IMPORTANT TO FLUSH OUT THE WATER PIPES BEFORE INSTALLING THE DIVERTER**

3. While there is construction in process after diverter body is installed, we recommend removal of the dress finishing's (i.e handle etc) until final fit off to ensure the finishing's aren't scratched or damaged by trades. The nominated hole cut out for the tiler should be 30mm diameter.

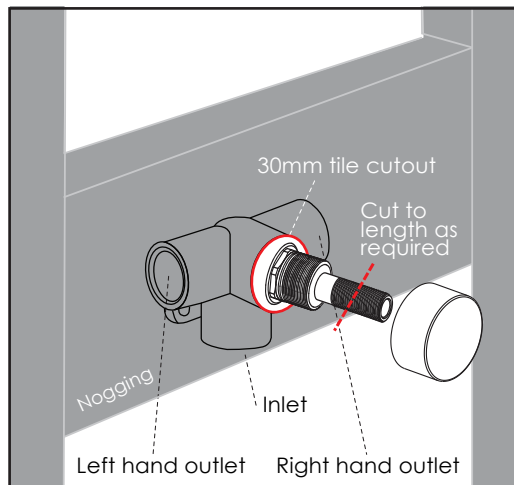
4. For fit off, screw on the dress ring and place handle over to assess fit, if the handle can be pushed back to 1-2mm from finished wall then tighten the Hex Key to fit, if not cut the threaded brass sleeve to suit required length.

5. Re-install Handle onto diverter body with grub screw facing down, central to left and right hand rotation.

**6. Turning handle to the left transfers water to the left hand outlet while turning to the right transfers water flow to the right hand outlet.**



**ALL INSTALLATIONS MUST COMPLY WITH AS/NZS3500**



**FAILURE TO COMPLY WITH ANY OF THE ABOVE INSTRUCTIONS WILL VOID ALL WARRANTIES**

### GENERAL INFORMATION

#### MAINTENANCE

- Clean regularly using mild soap and dry with a soft cloth.
- Do not use abrasive cleaners, harsh detergents or citrus based cleaners on any products as these will scratch the surface.
- Tightening or adjustment of Tapware over time is considered general maintenance.
- Failure to clean/replace aerators/flow restrictors as required will void warranty.
- Damage to finishes that arise from installation or post installation will void warranty.

#### The warranty will not apply if:

- The product has been damaged by improper use;
- The product has not been used in accordance with any applicable instruction guide;
- The purchaser has attempted to modify or repair the product;
- The purchaser has failed to observe the cleaning and maintenance guidelines;
- The product is not installed by a licenced Plumber.
- Flow controllers/ aerators not regularly cleaned/ replaced.

Product warranties are personal to the person who acquires the product for their own consumption or use and not for resale or resupply. Claims with this product cannot be made by anyone other than the consumer. Where a product is covered by parts and labour warranty, the warranty covers both the repair of the defective part or the provision of a spare part to replace the defective part and the installation of that part. Where a product is covered by parts only, the warranty covers both the repair of the defective part or the provision of a spare part in replacement. It does not include the removal of the defective part or the installations of the repaired or replaced part. We reserve the right to provide minor components (e.g. handles, aerators, hoses, dress rings and washers) as 'Parts Only' to the customer. Casa Lusso reserves the right to alter, or amend this warranty offer in writing at any time.

**FAILURE TO COMPLY WITH ANY OF THE ABOVE INSTRUCTIONS WILL VOID ALL WARRANTIES**